

Combi

NE-YO Compact



EN

Instruction manual

繁體中文

說明書

IMPORTANT : KEEP THESE INSTRUCTIONS FOR FUTURE REFERENCE.

WARNING (Incorrect operation may cause serious injury or death)

Please read this instruction manual carefully and keep it for future reference. The safety of the child may be seriously endangered if the instructions are not followed. You are personally responsible for the safety of your child.

- The stroller is suitable for children from newborn 1 month to 15kg (approximately 3 years old) .
- Always apply the parking brake when you are stationary.
- Do not rely too much on the stopper even when the stroller is parked empty.
- Even with all stopper engaged, always stay close to the stroller when it is carrying a child.
- Keep all small parts away from children as they are choking hazard.
- To prevent the risk of suffocation, always keep the plastic bags out of the reach of children.
- Overloading, incorrect folding and the use of non-approved accessories such as buggy boards may damage or break this stroller.
- Make sure to use the seat belt (crotch belt, waist belt and shoulder belt) when the child is seated. The front guard is not designed to prevent the child from standing up. Check if the seat belt fits properly, otherwise the baby may fall off from the stroller.
- Pay attention to child even when seat belt is in use in case of any sudden movement of child causing it to fall off.
- Do not cross the shoulder belts with each other when securing the shoulder belts to the insert plastic. Otherwise excessive pressure may be caused to child's neck.
- Do not use the seat cushion on which rift is found. Otherwise the seat cushion may not function as designed or the child may have chance to swallow the material inside the cushion.
- Seat cushion can play a protective role. When the stroller is not installed with a seat cushion, please stop using the stroller. Otherwise, there may be risk of injury.
- Do not leave the stroller when the child is seated.
- Make sure the open-fold lock is engaged completely before use. Otherwise the stroller may fold suddenly in use.
- Do not let the child operate the front guard. It may make the child to fall off from the stroller.
- Do not allow your child to stand in or on the stroller, it may be dangerous.
- Do not lean on or hang loads on the handle.
- Do not hang parcels or accessory items (except Combi original accessories) on the stroller, otherwise tipping over may happen to stroller.
- Never carry more than one child in the stroller. Do not allow a child to ride or sit on any area other than the seat.
- Excessive weight may cause a hazardous unstable condition exist. (Maximum load:15kg. Basket maximum load:5kg)
- Do not use the stroller on stairs.
- Do not let children operate the baby stroller to avoid tipping over or accident.
- Be careful of those around you to avoid pinching their fingers when you are opening or folding the stroller or adjusting the seat angle.

IMPORTANT : KEEP THESE INSTRUCTIONS FOR FUTURE REFERENCE.

⚠ WARNING (Incorrect operation may cause serious injury or death)

- Keep your child's fingers/hands away from moving/folding parts when folding or unfolding or adjusting the stroller.
 - Do not apply a lifted seat to baby who cannot sit straight by itself, the most reclined position is recommended for newborns.
 - When pushing the stroller, please walk slowly to avoid any damage to the stroller swivel wheels or any tipping over.
 - Open the baby stroller in clear area to avoid pinching baby's finger.
 - The used insert outlet from base seat and the cushion should be matched. (e.g. upper insert outlet of base seat should match with upper insert outlet of cushion) . Otherwise, the shoulder belt may not be long enough to harness the baby.
 - It is extremely dangerous to adjust the seat angle when pushing the stroller. Do stop the stroller first before operation.
 - Mind the road when move the stroller and prevent any wheel get stuck in the gap of the drainage ditch cover(s).
-
- **Never leave the child unattended. It may be dangerous to leave your child unattended.**
 - **Ensure that all the locking devices are engaged before use. Such as adjust your seat belt length, fasten your seat belt correctly and the stroller is fully opened.**
 - **Always use the restraint system to avoid any possible accident.**
 - **Do not use in a reclined angle less than 150° for a child under 6 months old.**
 - **Any loading attached to the handle affects the stability of the stroller.**
 - **Please always fasten the five-point seat belt to ensure the baby's safety.**
 - **This product is not suitable for running or skating.**
 - **Do not let the child play with this product.**
 - **To avoid injury ensure that your child is kept away when unfolding and folding this product.**
 - **Do not place the stroller near fire, high temperature, pool, or electric source.**
 - **Only replacement parts supplied or recommended by the manufacturer/distributor shall be used. Only use original accessories and parts that have been approved by the manufacturer. Do not make any modifications to the product.**

⚠ CAUTION (Incorrect operation may cause injury or component damage)

- Make sure all snaps are secured when attach the seat cushion to stroller. Otherwise accident or damage to stroller may happen.
- Loose the shoulder belts and support the backrest with the other hand before lowering the seat angle with a child seated. Do not suddenly change the seat angle while a child is seated.
- Adjust the length of seat belt properly after change of the backrest angle.
- Please do not touch the folding lever except when folding the stroller.
- When opening or folding up the stroller, be careful and avoid the seat cushion, seat belt, blanket and toys, etc., being pinched into the stroller body.
- If one gives excessive shock to the front wheels when getting over the step, stroller may fall down and cause damages. When stepping over, such as a curb, please slow down even a slight difference level, pull downward the handle and step on the foot-step, and make sure to pass the front wheels to get over the step.
- Never lift the stroller or use it on escalators or stairs when your child is sitting or lying in the stroller.
- This stroller requires regular maintenance by the user.
- Before use, check that the product and all its components have not been damaged during transportation.
- Please do not use the stroller in whatever purposes other than seating a baby. Failure to comply may result in damage of the stroller.
- Do not pull or twist or forcibly press down the front guard hardly. Otherwise the stroller may be damaged.
- Lift the backrest a little to use if the seat is found too narrow when fully reclined. However, the baby should be able to sit straight when stroller is used in such way.
- Do not let an adult sit on the stroller, or add loading on the stroller to avoid any damage to it.
- Avoid continuous outdoor usage particularly during day time in summer.
- Avoid storing the stroller in save places under high temperature, near a heat source or inside a car. Exposure to high temperature may damage or deform the stroller.
- Check regularly that all screws, bolts and nuts are engaged tightly.
- For use on trains:
This product is not designed to be used on trains. When user attempts to use the product at his /her own risk, please lock stopper in case of sudden brake or turning. Otherwise stroller may fall off.
- Do not press on the folding lever while lift the stroller to avoid damage to the part.
- Make sure the basket is empty before folding up the stroller.
- Make sure the canopy is completely folded up before folding the stroller to avoid damage of the parts.
- Do not lay down the stroller and do not put things on the canopy to avoid deformation.

⚠ CAUTION (Incorrect operation may cause injury or component damage)

- Do not get hold of an opened front guard to pull the baby stroller.
- Even have stopper, this stroller may also be accidental slip or overturned.
- Do not leave baby stroller at road side or slope even when it is not in use.
- Do not use the stroller on steep slopes, stairs, escalators, rough roads, beaches, mud, etc.
- When pushing the stroller, please pay attention to any hole or track on the ground to avoid the front wheel from accidentally getting jammed and tipping over.
- In the event of damage or operation problems, stop using the stroller immediately and keep it out of reach of children.
- Never leave the stroller close to stairs or steps.
- In the event of damage or operation problems, please contact customer service center (or local distributor).
- Only use on a flat, relatively smooth, stable and non-slippery surface. Do not use the stroller in snowy, windy days or wet road to avoid the stroller or guardian from slipping.
- Do not use the stroller in lightning days to avoid thunder stroke.
- Do not attach other accessory like buggy board on the main body during a child being carried in stroller, otherwise accident or damage to stroller may happen.
- Do not use the stroller on public vehicles.
- Lift front wheels and pay particular attention to gaps or ditch when crossing rail road to avoid the front wheels from accidentally getting to jammed and tipping over.
- No continuous use for a long period: Continuous use for a long period of time may exhaust baby. No continuous use of more than 2 hours for a baby in a reclined seat and 1 hour in an upright seat.
- When feel jammed, please do not forcibly fold the stroller to prevent from any damage. You should reopen the stroller to check and operate again.
- Turn swivel wheels to inner side and lock up before folding the stroller. Improper position may cause stroller becoming imbalanced after folded.
- Do not put things that are too sharp or too large into the basket since it may cause damage to the basket.
- Please regular cleaning and checking the stroller. Only use neutral detergent to clean the stroller body.
- Make sure no oil or lubricant is left on parts such as front guard or armrest where baby may have chance to lick.
- Please contact customer service center (or local distributor) for replacement if you find the tyre wear seriously affect movement.
- Parking device shall be engaged when placing and removing the children.
- Any load attached to the handle and/or on the back of the backrest and/or on the sides of stroller will affect the stability of the stroller.
- Fasten the safety belt securely, but do not have it too tight.
- Do not hold the front guard to lift the stroller while a child seated. Failure to comply may cause the stroller to fold up suddenly, release the front guard accidentally, or cause the stroller to slip off.



CAUTION (Incorrect operation may cause injury or component damage)

- When traveling on vehicles such as subways / high-speed rails, please mind that the wheels of your baby strollers are not caught by the door, and please mind the gap between the platform and the train.
- When the child's foot comes into contact with the floor or the wheel, stop using the stroller lest it be hurt.
- Do not use in a lying angle if the child's head is beyond the backrest.

重要-使用前請詳細閱讀本說明書並妥善保存作日後參考之用

警告（錯誤操作可能引致重大傷害或死亡）

不按照本使用說明書指引使用手推車，可能對幼兒造成重大傷害。
幼兒的安全是您的責任。

- 本產品適用於一個月初生兒至15kg（大約三歲）的幼兒。
- 停止手推車時，請使用停車鎖。
- 不論有否承載嬰兒，停車時勿過分信賴停車鎖的性能。
- 即使已使用停車鎖，如載有嬰兒，應隨時留意手推車附近，以防任何危險發生。
- 切勿將小配件放近幼兒，以免幼兒吞下而造成窒息的危險。
- 為了防止幼兒窒息的危險，在拆開包裝後，請將塑膠袋之類的包裝物料丟棄。
- 過分超載，錯誤折疊以及使用未經認可的附件會對手推車造成損壞。
- 乘載幼兒時必須繫上安全帶，安全帶包含中央帶，腰帶和肩帶。前護欄不能防止幼兒從座墊上站起來。請確認安全帶沒有鬆脫，以免幼兒突然跌出手推車。
- 為防止幼兒突如其來的動作令其跌出手推車，即使已經扣上安全帶，也請經常留意幼兒，小心使用。
- 肩帶扣在插扣片上時，請勿交叉肩帶，以免肩帶對幼兒頸部造成壓迫。
- 請勿使用已破損的座墊，以免座墊不能發揮其應有功能，或令幼兒誤吞內裡的棉花等。
- 座墊起保護作用，推車未安裝座墊時禁止兒童使用，否則可能有造成傷害的風險。
- 當兒童乘坐時，看護人不要離開。
- 使用前一定要確認開關鎖已鎖上，否則手推車會有突然折起的危險。
- 不要讓幼兒操作前護欄以免其意外跌倒。
- 不可讓幼兒站立在車上，這是十分危險的。
- 切勿把身體靠於或把重物掛於把手上。
- 切勿懸掛物件（康貝原廠的配件除外）於車篷或把手上，以免引致手推車翻倒。
- 切勿承載超過一名幼兒，或讓幼兒坐在座椅以外的地方。
- 承載超重會容易產生不穩定的危險情況，產品最大承載重量：15kg，置物籃最大承載重量：5kg。
- 禁止於樓梯間使用手推車。
- 不要讓幼兒操作手推車，以免手推車翻倒或發生其他意外。
- 開關手推車或調節座席靠背角度時要注意四周旁人及小孩，以免夾傷指頭。
- 開關或調節手推車時，請勿讓幼兒的手接觸活動零件部分。
- 對還未能坐直的幼兒，請勿使用直立角度，請以最平躺角度使用。新生兒建議使用最平躺的角度。
- 推動手推車時請勿奔跑，應慢慢步行，以免轉向輪損壞，或引致翻倒等意外。
- 打開幼兒手推車時不要讓他人接觸，以免意外夾傷。
- 在座席使用的肩帶穿孔和座墊的肩帶穿孔位置要一致。如使用座席的上方肩帶穿孔，座墊亦同樣要使用上方肩帶穿孔，不然肩帶有可能因長度不足繫緊幼兒。
- 一邊推行一邊調整座席角度是非常危險的，請勿同時進行。
- 推行時請注意路面狀況，不要讓手推車卡入排水溝蓋的縫隙中。

重要-使用前請詳細閱讀本說明書並妥善保存作日後參考之用

警告（錯誤操作可能引致重大傷害或死亡）

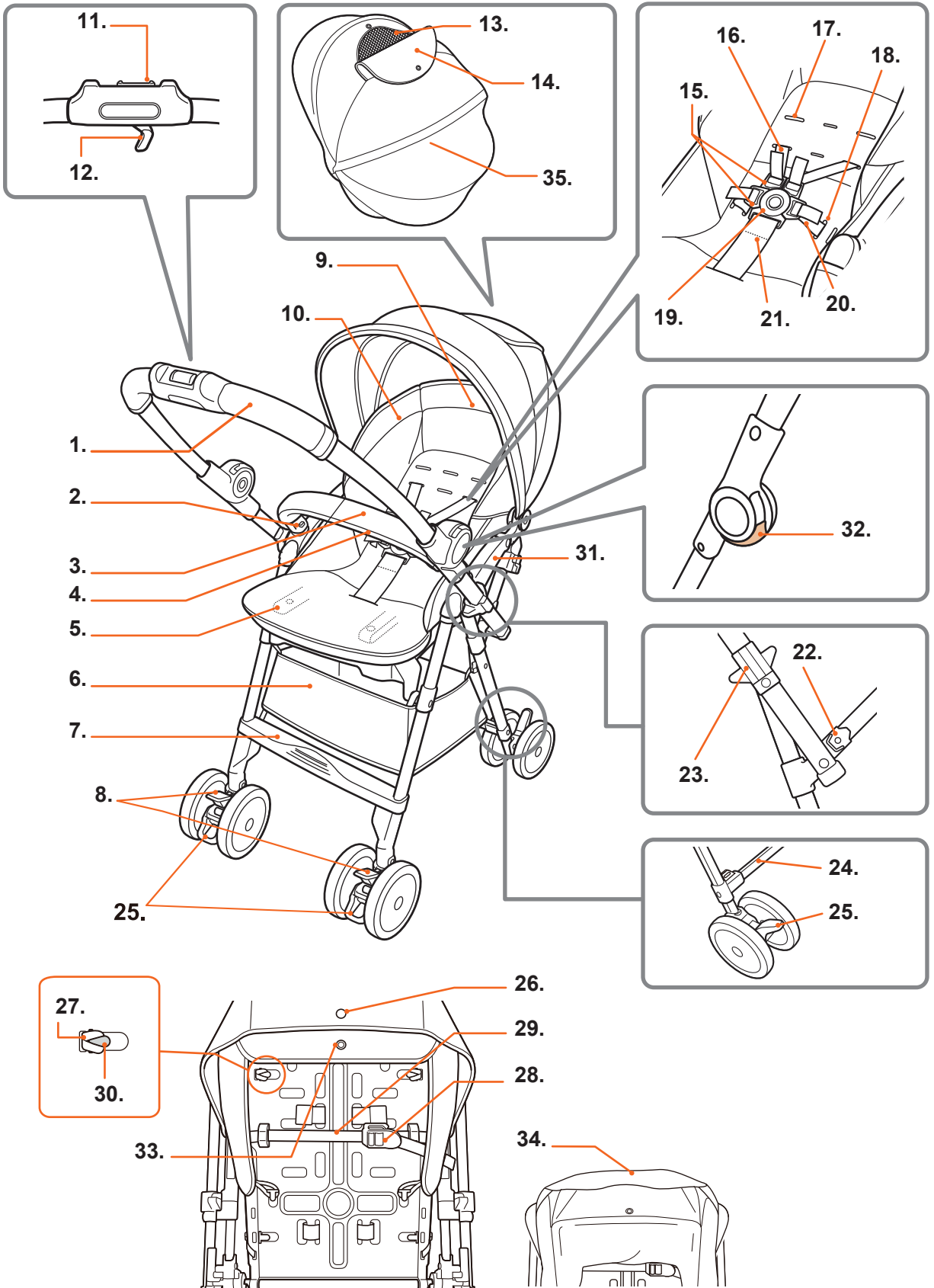
- 不應在無人照顧下把嬰兒單獨留於嬰兒車內，以免發生危險。
- 使用手推車前請確保推車所有鎖定裝置都已處於鎖定狀態，如安全帶長度調整，座墊扣環扣上，推車已完全展開。
- 為了防止意外發生，孩子乘坐時必須繫上安全帶。
- 當靠背角度少於150度時，不適合6個月以下幼兒使用。
- 在把手上放置任何負載都會影響車輛的穩定性。
- 請一直將五點式安全帶扣上，以確保寶寶乘車時的安全。
- 此產品不宜於跑步或溜冰時使用。
- 請勿讓小孩玩耍本品。
- 為避免傷害，當產品在折疊和展開時，請確保你的孩子遠離產品。
- 使用時應遠離高溫、火源、水池或電源等鄰近範圍。
- 請勿使用未經製造商認可的附屬物。請勿使用非原廠供應的零件替換或自行改裝手推車。

注意（錯誤操作可能引致受傷或元件損壞）

- 安裝座墊時，請確保所有帶扣等已經裝好，以免引致意外或造成損壞。
- 在已承載幼兒的狀態下調整座席角度時，請先將肩帶調鬆，然後以另外一隻手支持著靠背調節，請注意勿讓座席角度突然改變。
- 調整座席角度後，請重新調整安全帶至適當長度。
- 除開折手推車外，請勿觸碰開關掣。
- 當打開和收折推車時，請注意及避免可裝拆的座墊、手推車的安全帶、被子及玩具夾在手推車車體上。
- 當越過不同段差時，若強行附加力量於前車輪上使之與段差碰撞，可能引起手推車損壞和故障，當越過段差時，即使是微小段差區的地方也應減緩推行，並踏上後腳支架及往後按下把手往前行，確保前車輪越過段差才可通行。
- 當幼兒乘坐時，請勿在手扶梯上使用或搬動手推車。
- 使用者必須對本產品作定期保養。
- 每次使用前請檢查配件是否在運輸過程中被損壞。
- 請勿將手推車作承載幼兒以外的用途，否則會引致損壞。
- 請勿用力拉動、扭動、壓下前護欄，以免引致損壞。
- 假如放低椅背使用時座位太窄，可以將靠背調高一點使用。但注意幼兒應已差不多能獨自坐直，才可這樣使用。
- 請勿讓成年人坐上手推車，或在上面放置重物，以免損壞手推車。
- 請避免連續長時間使用，特別是在夏天。
- 避免將手推車存放於高溫，接近熱源的地方或車廂內，因高溫可使手推車損壞或變形。
- 請定期檢查所有螺絲是否上緊。
- 有關火車上的使用：
本產品並非以火車上的使用為目的所設計的產品。假如閣下自行決定於火車上使用，請小心注意，並鎖上停車鎖，以免轉彎或剎車時令手推車翻倒。
- 請勿在提起手推車的狀態下按下開關掣，以免引致元件損壞。
- 收起手推車前請先確認置物籃內的物品已取出。
- 收折前請先確認車篷已經完全收起，以免引致組件損壞。
- 收起手推車時，請避免橫放，或於上面置放重物，以免車篷變形。
- 請勿手執開放的前護欄來拖動手推車。
- 即使已經鎖上停車鎖，手推車也有可能意外滑動或翻倒。
- 即使幼兒不在車上，也不可將手推車隨意放在路旁或斜坡等危險地方。
- 不可於斜坡、階梯、自動扶梯、顛簸坡道、沙灘、泥地等場所使用手推車。
- 推動手推車時請小心路上凹陷之地方，以免前輪意外陷進溝內令手推車翻倒。
- 如手推車出現損壞或操作問題，應立即停止使用，並將其存放在遠離幼童的地方。
- 請勿將本產品放近樓梯或梯級上。
- 如發現手推車損壞或有操作問題，請聯絡客服中心（或當地經銷商）。
- 只可在乾燥的平地上使用。請勿於雪地和強風時或濕滑路面上使用，以免令手推車或監護者意外翻倒。
- 請勿於打雷時使用手推車，以免意外遭受雷擊。
- 請勿外加任何以輪板或元件於主體上承載幼兒，以免發生意外或對手推車造成損壞。
- 請勿於公共汽車上使用手推車。

注意（錯誤操作可能引致受傷或元件損壞）

- 跨越火車軌道和汽車道的十字道口等時，請提高前輪跨越間隙，以免前輪意外卡在溝內引致翻倒。
- 禁止連續長時間使用：連續長時間使用會對幼兒造成負擔。躺臥姿勢的連續使用時間上限為2小時，坐著姿勢的則為1小時。
- 感覺有異物卡住時，請勿強行折疊，以免造成損壞。應先打開手推車，確認後再操作。
- 收折前請將轉向輪翻往內側然後鎖定。如果不將轉向輪鎖定在內側位置，收折後手推車將較易翻倒。
- 請勿承載太尖或太大的東西於置物籃中，以免置物籃損壞。
- 請定期清潔以及檢查手推車。請勿使用非中性的清潔劑清潔車架。
- 請注意勿讓油分附在幼兒有機會舔到的地方，如前護欄，扶手等。
- 如發現車輪外胎磨耗嚴重，影響推行，請聯繫客服中心(或當地經銷商)進行更換。
- 當放置和移開幼兒時請鎖定停車裝置。
- 為了手推車的穩定性，請勿將其他產品連接到推把、靠背的背部、手推車的側面等部位。
- 請牢牢繫上安全帶，但注意不要過緊。
- 切勿搬動承載了嬰孩的手推車，以免手推車突然收折。或手執前護欄等地方搬動手推車，以免手推車意外滑脫或令前護欄鬆脫以致手推車掉下。
- 在乘坐如地鐵/高鐵等交通工具時，請注意手推車的車輪不要被車門夾住，並請留意站台和車之間的縫隙。
- 當幼兒的腳接觸到地面和車輪時，請勿使用手推車，有可能造成腳受傷。
- 假如幼兒頭部超出靠背前端時，請勿使用躺臥角度。



List of components

- | | | |
|------------------------|---|-----------------------------|
| 1. Handle | 13. Top window | 25. Stopper |
| 2. Front guard buttons | 14. Top window cover | 26. Canopy snap |
| 3. Front guard cover | 15. Shoulder belt and waist belt buckle | 27. Elastic |
| 4. Front guard | 16. Shoulder belt | 28. Seat reclining buckle |
| 5. Leg support bar | 17. Shoulder belt insert outlet | 29. Reclining cord |
| 6. Basket | 18. Waist belt insert outlet | 30. Plastic hooks |
| 7. Foot rest | 19. Crotch belt buckle | 31. Armrest |
| 8. Swivel wheel locks | 20. Waist belt | 32. Handle Joint switch |
| 9. Headrest | 21. Crotch belt | 33. Seat cushion button |
| 10. Seat cushion | 22. Open/Fold lock | 34. Headrest supporting rod |
| 11. Safety lock | 23. Handle lock | 35. Canopy |
| 12. Folding lever | 24. Rear stay | |

部件清單

- | | | |
|----------|----------|-----------|
| 1. 把手 | 13. 天窗 | 25. 停車鎖 |
| 2. 護欄鬆脫掣 | 14. 天窗蓋 | 26. 遮陽棚鈕 |
| 3. 護欄套 | 15. 肩腰帶扣 | 27. 鬆緊帶 |
| 4. 前護欄 | 16. 肩帶 | 28. 角度調節扣 |
| 5. 腿部支撐桿 | 17. 肩帶穿孔 | 29. 角度調節帶 |
| 6. 置物籃 | 18. 腰帶穿孔 | 30. 塑膠掛鉤 |
| 7. 腳踏 | 19. 中央帶扣 | 31. 扶手 |
| 8. 轉向輪鎖 | 20. 腰帶 | 32. 把手調節掣 |
| 9. 護頭板 | 21. 中央帶 | 33. 座墊鈕扣 |
| 10. 座墊 | 22. 開關鎖 | 34. 頭靠支桿 |
| 11. 安全鎖 | 23. 把手鎖 | 35. 遮陽棚 |
| 12. 開關 | 24. 後腳支架 | |

Unfolding the stroller 打開手推車

- ① Hold the handle and pull it upward by rotating it from bottom to top until it clicks. The handle will return to the straight status.
 - ② Hold the handle with one hand and the canopy with the other, and then pull the canopy upward by rotating it from bottom to top to restore it to the position parallel to the handle.
 - ③ Button the canopy and the seat cushion.
 - ④ Slide the safety lock as demonstrated direction and hold it in place.
 - ⑤ Grip and pull the folding lever upwards simultaneously.
 - ⑥ Slightly lift the stroller and open it.
 - ⑦ Stretch the headrest supporting rod as illustrated to restore it to the unfolded status
- ※ In the package, the handle, the canopy and the headrest supporting rod are folded.

NOTE: When it is used for a baby more than 6 months, make sure that the headrest supporting rod is unfolded.

⚠ WARNING : When the canopy is unfolded, be sure to button the canopy and the seat cushion before use. Otherwise, the canopy may flip over be misused.

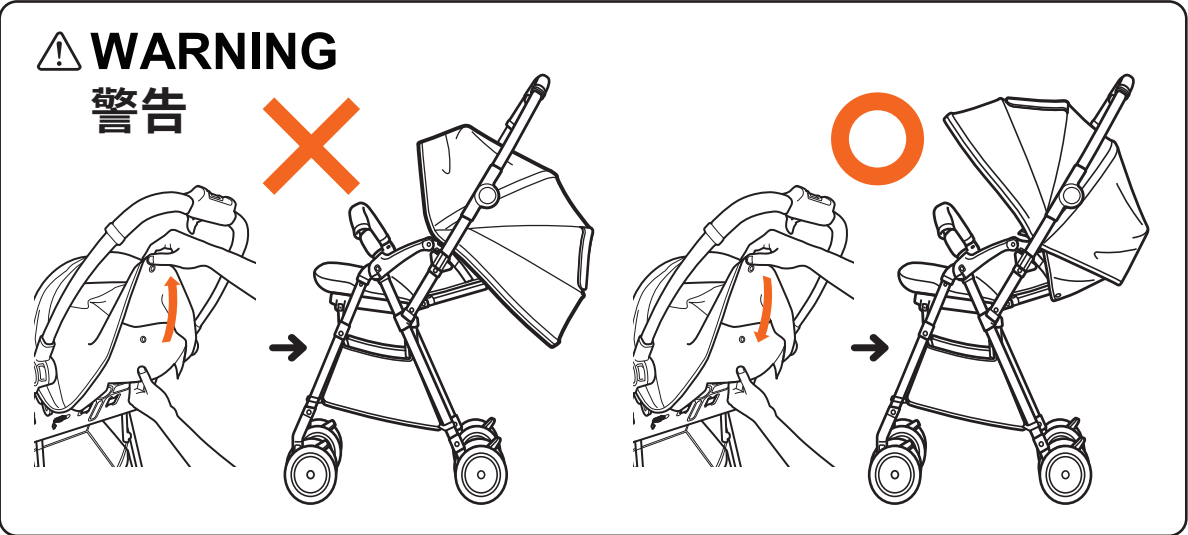
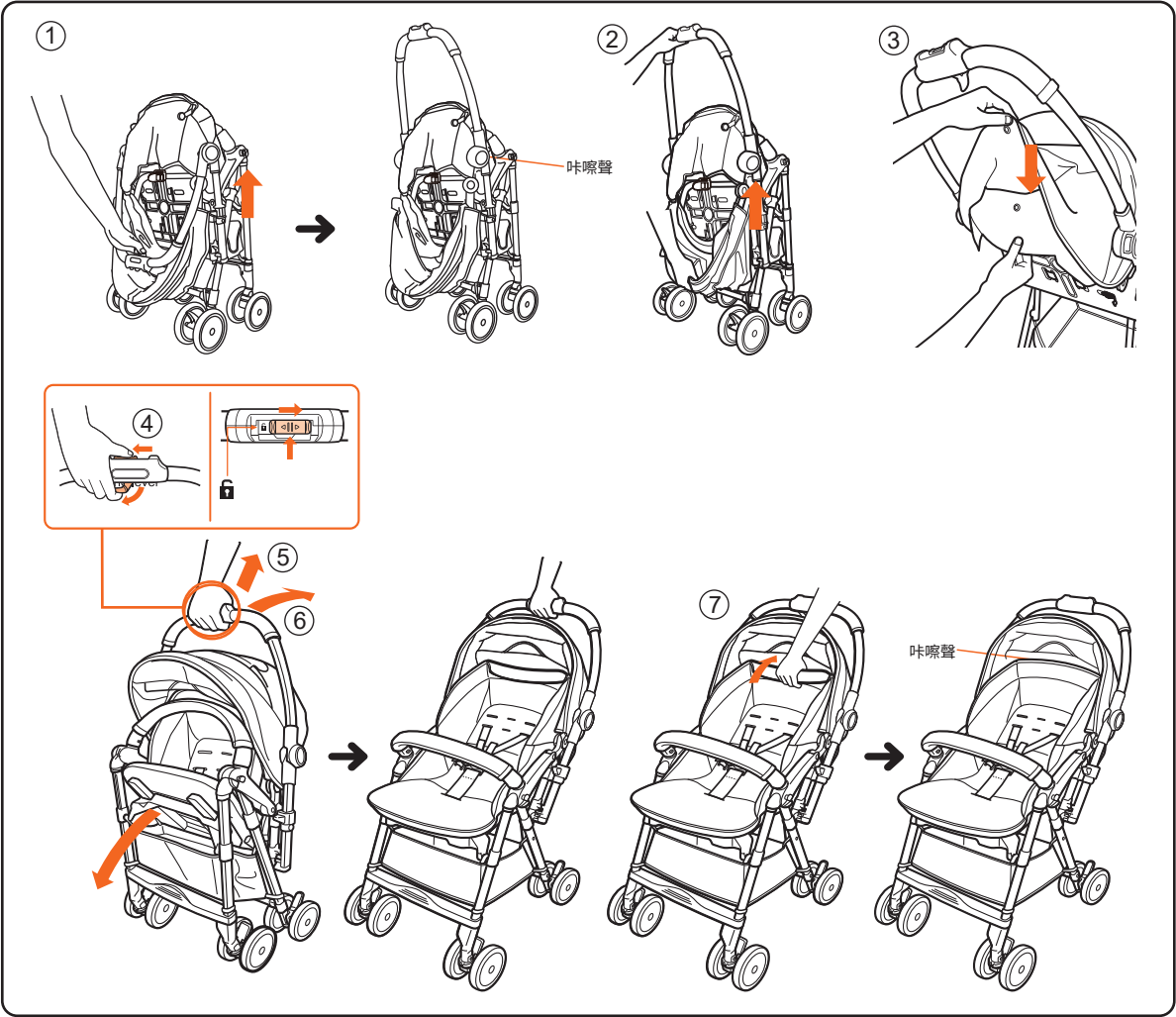
- ① 手握把手將把手由下往上旋轉拉起直聽到咔嚓聲，把手回到直杆狀態。
- ② 一隻手握住把手，另一隻手握住遮陽蓬旋轉由下往上拉起，將遮陽蓬恢復到與把手平行的位置。
- ③ 將遮陽蓬鈕與座墊鈕扣扣起來。
- ④ 將把手上的安全鎖向箭頭方向滑動並握住。
- ⑤ 同時握著並提起開關掣。
- ⑥ 稍稍提起並打開手推車。
- ⑦ 將頭靠支杆按如圖所示拉伸直聽到咔嚓聲，即恢復至展開狀態。

※ 包裝時，把手、遮陽蓬、頭靠支杆呈折疊狀態。

小提示：6個月以上兒童背靠直立狀態下使用時，務必確保頭靠支杆處於拉伸打開狀態而非折疊狀態。

⚠ 警告：遮陽蓬打開使用時，遮陽蓬鈕與座墊鈕扣務必扣合使用，否則可能導致遮陽蓬前後翻轉誤使用。

Unfolding the stroller 打開手推車



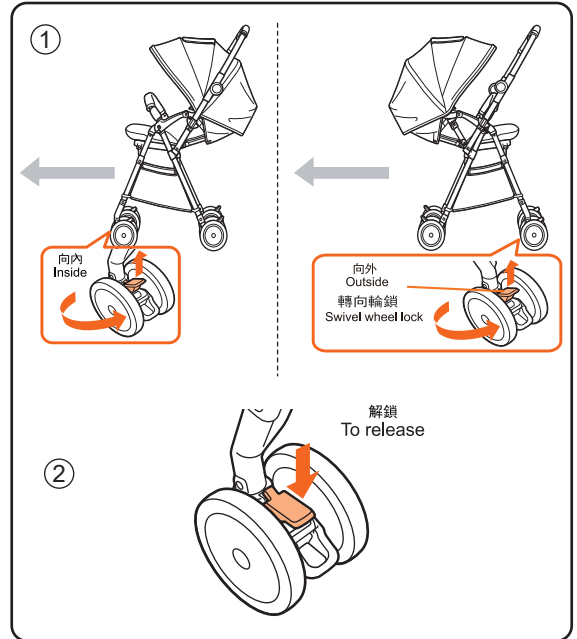
Using the swivel wheels 使用轉向輪

- ① Swivel wheels not in use—
Lift the swivel wheel locks to lock, It can fix the forward direction of the wheel.
- ② To use the swivel wheels—
Press down the swivel wheel locks (right and left) to release.

NOTE: Press down the swivel wheel locks and the wheels can turn to every direction.

- ① 不使用轉向功能時，向上推起轉向輪鎖以鎖定，即可固定車輪前行方向。
- ② 使用轉向功能時，向下按下轉向輪鎖（左右）以解除。

小提示：按下前輪的轉向輪鎖，車輪可自由轉向，改變推行方向更容易。



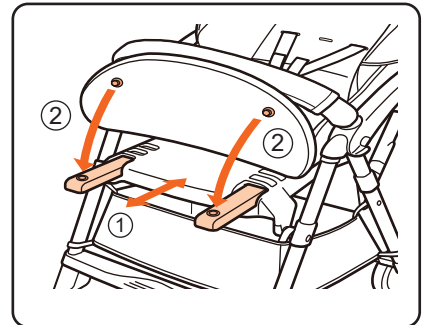
Using the leg support bar 腿部支撐桿功能

- ① Lift the seat cushion and pull out the leg support bars from the seat base.
- ② Snap the seat cushion onto the leg support bars.

NOTE: ① Apply the leg support for better comfort when child is asleep.

- ② To store the leg support bars, Release the snaps and push the bars back to the seat base.

⚠ WARNING : Make sure the seat cushion and leg support have been buttoned when carrying children.



- ① 提起座墊，將座墊下的腿部支撐杆抽出。
- ② 蓋上座墊，再將鈕扣扣上。

小提示：使用腿部支撐杆，可以使幼兒睡覺時姿勢更舒適。
收起腿部支撐杆時解除鈕扣，再將腿部支撐杆推回座椅底部。

⚠ 警告：承載幼兒時請確保已用鈕扣把座墊和腿部支撐杆扣上。

Using the stopper 使用停車鎖

① To lock the wheels, press the stoppers down which are located at wheels on both left and right sides.
Try to push the stroller back and forth slightly to ensure that the stoppers are properly engaged.

② To release the stoppers, lift the stoppers to unlock.

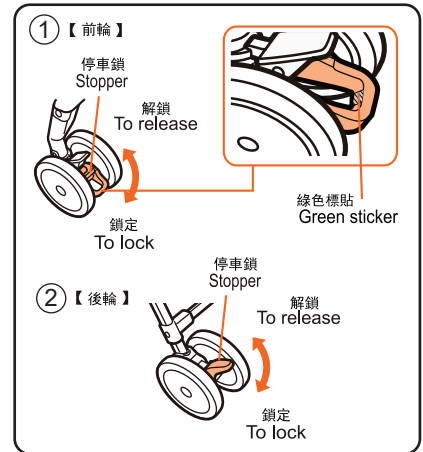
NOTE: Check the stroller are fully engaged by gently attempting to push the stroller when the stopper of front wheel is fully engaged, the green sticker can be seen from above.

⚠ WARNING: Always engage the stoppers when you leave the stroller.

- ① 壓下左右車輪的停車鎖。
輕輕前後推動推車，確認停車鎖已鎖定。
- ② 將停車鎖往上撥即可解鎖。

小提示：前輪停車鎖踩到底時可見到綠色標貼，表示手推車剎車裝置已完全鎖住車輪。

⚠ 警告：在遠離手推車時，請時刻謹記使用停車鎖。



Using the front guard 使用前護欄

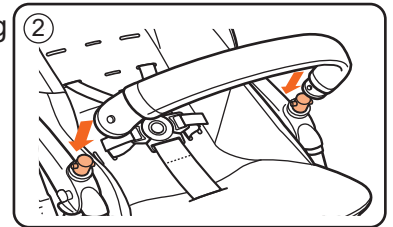
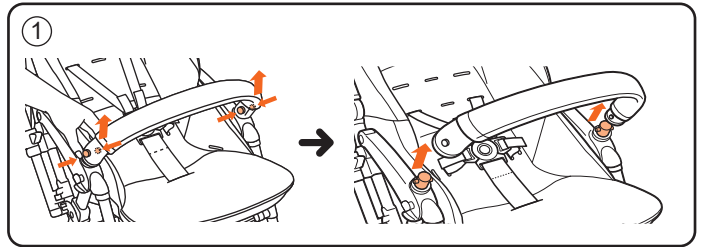
- ① Open the front guard
Press and hold the button at the end of the front guard as illustrated.
- ② Attach the front guard
Lift the front guard and plug into the projected part at the end of the armrest. Pull the guard to check whether it is securely locked.

NOTE: The front guard is not installed on the stroller while packing

⚠ WARNING: Do not hold the front guard to lift the stroller while a child seated.

- ① 打開前護欄
如箭頭所指按下前護欄鬆脫掣。抽起前護欄。
- ② 安裝前護欄
請先將前護欄提起對準插口，然後兩邊同時插入安裝。用手拉一拉確認是否鎖定牢固。
小提示：包裝時，前護欄沒有安裝在車體上。

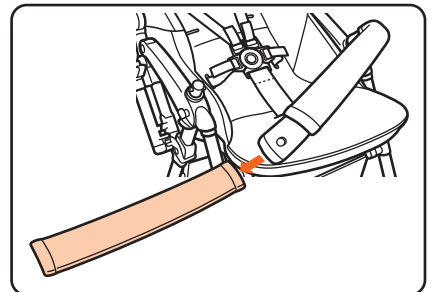
⚠ 警告：小孩乘坐時，請勿手執前護欄搬動手推車。



Detach the front guard cover 拆除前護欄套

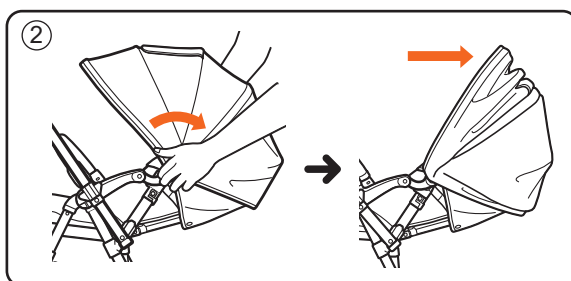
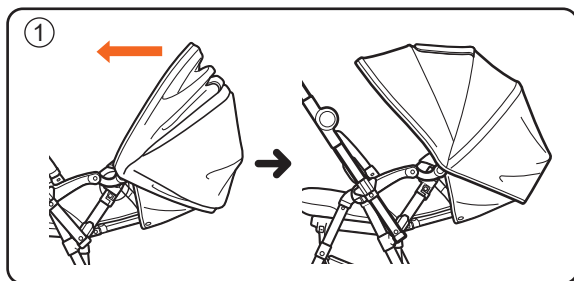
Open the front guard and detach the cover from the front guard.

打開前護欄，從護欄上取下護欄套。



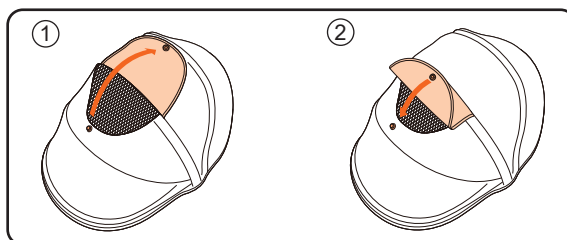
Adjusting the covering size of canopy 遮陽蓬大小的調節

- ① Hold the canopy stay and pull the canopy forward for full coverage.
- ② Hold the canopy stay and pull the canopy backward for reduced canopy coverage.
- ① 用手拉住遮陽蓬前支桿向前調節，即可展開遮陽蓬。
- ② 用手拉住遮陽蓬前支桿向後調節，即可收攏遮陽蓬。



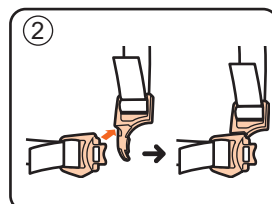
Using the top window 使用天窗

- ① Open top window by releasing snaps.
- ② Fasten the snap to close top window.
- ① 打開天窗須將鈕扣打開。
- ② 關閉天窗將車篷上的鈕扣重新扣上。

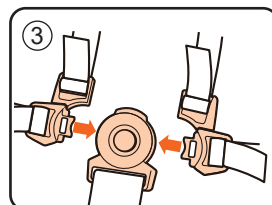


Using safety harness 使用安全帶

- ① Seat the child into the stroller and fit the shoulder belts on the child's left and right shoulder.
- ② Overlap the shoulder and waist buckles for left and right side separately.
- ③ Pull out the crotch belt and put the insert plastics into the buckle until a "Click" sound is heard.



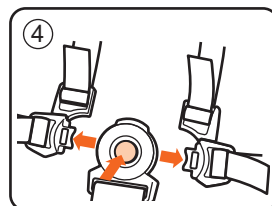
- Pull the shoulder belts and waist belts to check if it is secured.
- ④ Press the crotch buckle button to release the harness.



⚠ WARNING: Avoid serious injury from falling or sliding out, always use the restraint system.

NOTE : Adjust the length of seat belt properly after change of the backrest angle.

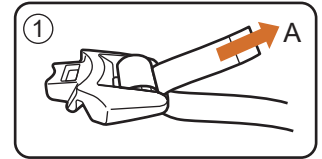
- ① 讓孩子坐在車內，使其肩膀左右與肩帶貼合。
- ② 分別將左右兩邊的肩帶扣與腰帶扣重疊。
- ③ 拿起肩腰帶扣左右插入中央帶扣，聽到“咔嚓”一聲，說明已安全插入。拉動中央帶，腰帶，肩帶，確認有無鬆動。
- ④ 若要解開安全帶，按下中央帶扣中間的按鈕即可解除。



⚠ 警告：避免跌落或滑落造成嚴重傷害，任何時刻都必需使用安全帶。
小提示：當改變靠背角度時，請謹記檢查並確認安全帶已作出最適當的調整。

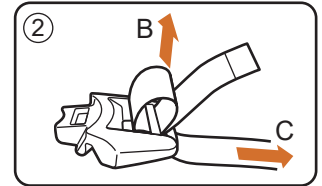
Adjusting the waist/shoulder belt length 調節肩帶、腰帶的長度

- ① Pull the waist belt end to direction A to shorten.
 - ② Loose and pull out the waist belt to direction B, then pull it inward to extend the length to direction C.
- Use the same method on waist belt to adjust the shoulder belt.



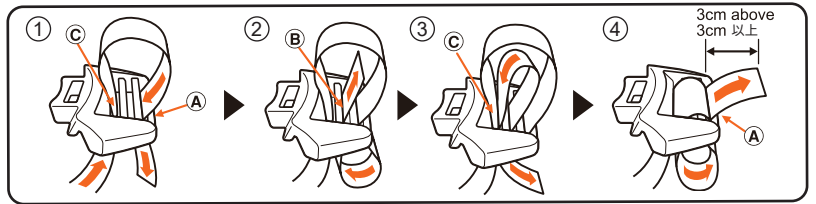
NOTE: Always leave at least 3cm at the belt end.

- ① 收緊時，將腰帶的前端位置往圖標箭頭A方向拉。
 - ② 延長時，將腰帶表側往B箭頭方向鬆脫出來，然後再將腰帶向裡側往C箭頭方向拉。
- 肩帶的調節方法同腰帶的調節方法一致。
小提示：注意腰帶末端應留下3cm以上的長度。

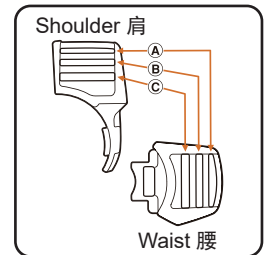


Attaching the insert plastics 將肩帶、腰帶裝到插扣片上

- ① Use the waist belt end to pass through from the buckle back slot (C) and slide out to slot (A).
- ② Pull out the waist belt end from slot (B).
- ③ Slide out the waist belt end through slot (C).
- ④ Pull out the waist belt from slot (A) and adjust the applicable length. (Leave 3cm or above)



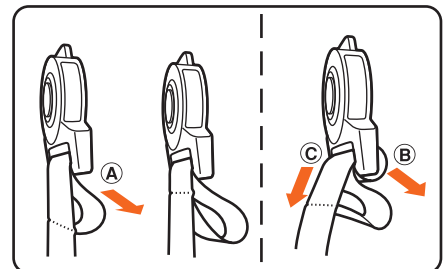
- ① 將腰帶前端從穿孔(C)穿出再通過孔(A)拉出。
- ② 將腰帶前端通過穿孔(B)拉出。
- ③ 將腰帶前端再向穿孔(C)通過。
- ④ 最後將腰帶向穿孔(A)拉出，並調至到合適的長度。(保留3cm以上)



Adjusting the crotch belt 調節中央帶時

Tightening - Pull the crotch belt to the direction (A).
Extending - Follow the direction (B) and pull out the belt, then follow the direction (C) and pull the belt to the end.

收緊時，將中央帶朝著(A)方向拉。
延長時，按照(B)方向拉出中央帶後順著(C)方向拉到底。



Reclining the backrest 調節靠背角度

- ① Support the backrest with one hand before reclining the backrest
- ② The headrest will be lifted automatically after the backrest is reclined.
- ③ pull the reclining cords as illustrated to raise the seat back.

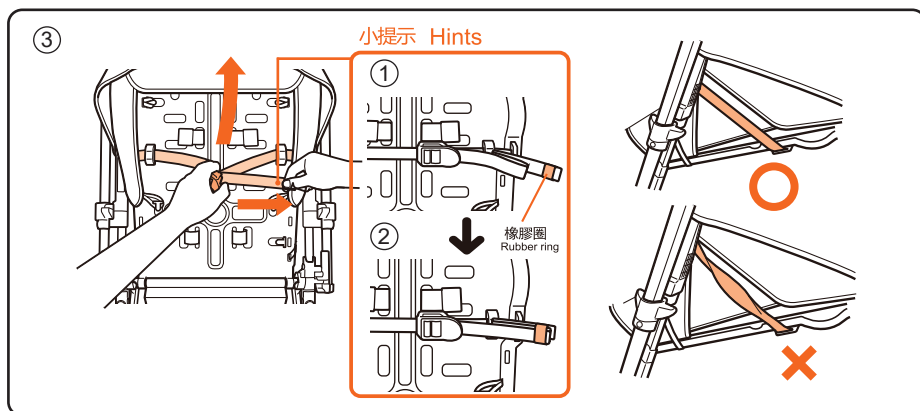
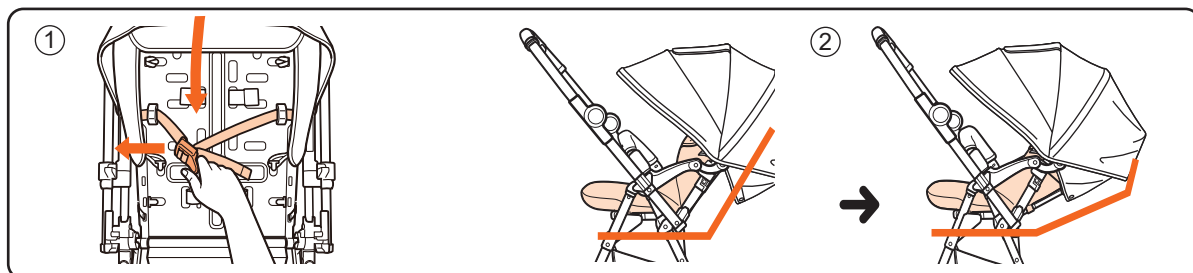
NOTE: Raising the backrest may be difficult while a child is leaning on the backrest.

The reclining belt sometimes is twisted, correct the twisted reclining belt by the following steps: Set the backrest down to the lowest. Hold the belt mounting part and turn to the direction of the twisted reclining belt.

- ① 調低坐席角度時，先以單手支撐著靠背。將角度調節扣往下拉調底靠背。
- ② 擋頭部自動升起。
- ③ 將角度調節帶往箭頭方向拉來調節靠背角度。

小提示：幼兒靠在靠背時，角度調節會變得困難。斜躺操作困難，斜躺帶有時會被扭曲。

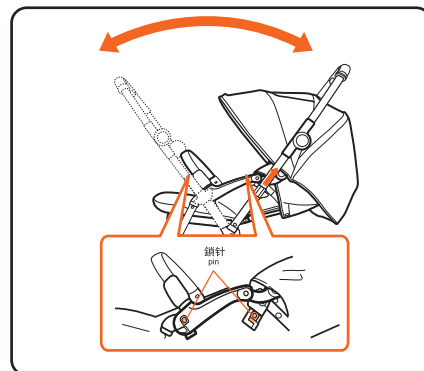
通過以下步驟改正扭曲的斜躺帶。將靠背設置最低。將斜躺帶整體地從帶固定的地方扭轉方向。



Reversing handle 手推車換向

Lift and release the handle locks to change the handle direction until the locks are secured in places as show in figure.

如圖，將左右兩邊的把手鎖拉起解除後轉換把手方向，直至把手鎖重新鎖上為止。



Folding the stroller 收折手推車

- ① Slide to release the safety lock of direction as illustrated.
- ② Hold the switch while lifting the handle, and then press the handle to fold the stroller primarily.
- ③ Unbutton the hood and the seat cushion.
- ④ Hold the handle with one hand and rotate the canopy from top to bottom with the other hand.
- ⑤ Press the handle joint switch as illustrated to operate to the top of the groove until a click is heard, Then use the other hand to rotate the handle from top to bottom until it overlaps with the canopy.

NOTE: You can operate on either side of the handle joint switch. Please keep your hand away from it after unlocking to avoid being pinched

- ⑥ please press the headrest supporting rod in the direction illustrated in the figure to fold it and minimize its footprint and complete the secondary folding.

NOTE: There are two folding methods for this stroller. If you only need to use the ordinary folding method, you only need to operate steps ① and ② to complete the first folding, If you need to use minimize the folding volume, it is necessary to complete the six steps of ① ② ③ ④ ⑤ ⑥ to complete the secondary folding

※ In the package, the handle, the canopy and the headrest supporting rod are folded.

⚠ WARNING: When folding the stroller, please ensure your child and other children are kept at a safe distance. Please ensure that they are not in contact with mounting parts and remove all items from the basket before folding the stroller.

⚠ WARNING: Do not hold the handle joint switch with your hand and start to fold it. Otherwise, between the thumb and index may be pinched.

⚠ WARNING: Once the stroller is folded, do not drag or lift it by holding the canopy supporting rod and . Or drag it by holding the headrest supporting rod , Otherwise, deformation of the stroller or other problems may occur.

- ① 如圖中箭頭方向拉動安全鎖作解除。
- ② 一邊握住開關掣，一邊提起把手，然後按下把手，推車被第一次折疊起來。
- ③ 將遮陽篷鈕與座墊鈕扣解開。
- ④ 一只手握住把手，另一只手握住遮陽篷由上往下旋轉至最底端。
- ⑤ 將把手調節掣按如圖所示操作至凹槽頂端直聽到咔嚓聲即解鎖，然後用另一隻手將把手杆由上至下旋轉至與遮陽篷重疊。

小提示：您可以在把手調節掣的任何一側進行操作，解鎖後請讓手遠離，以免夾傷。

- ⑥ 將頭靠支杆按如圖方向按壓收折，即可使收折體積達到最小并完成二次折疊
- 小提示：此車有兩種收折方式，如只需要使用普通收車只需要操作步驟①②即可完成第一次折疊，如需使收折體積達到最小化，則需要同步完成①②③④⑤⑥六個步驟即可完成二次折疊。

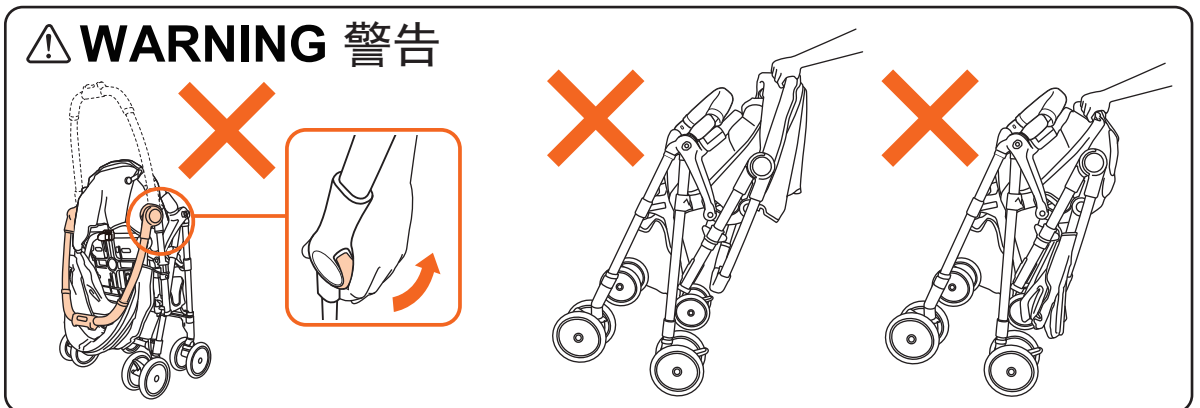
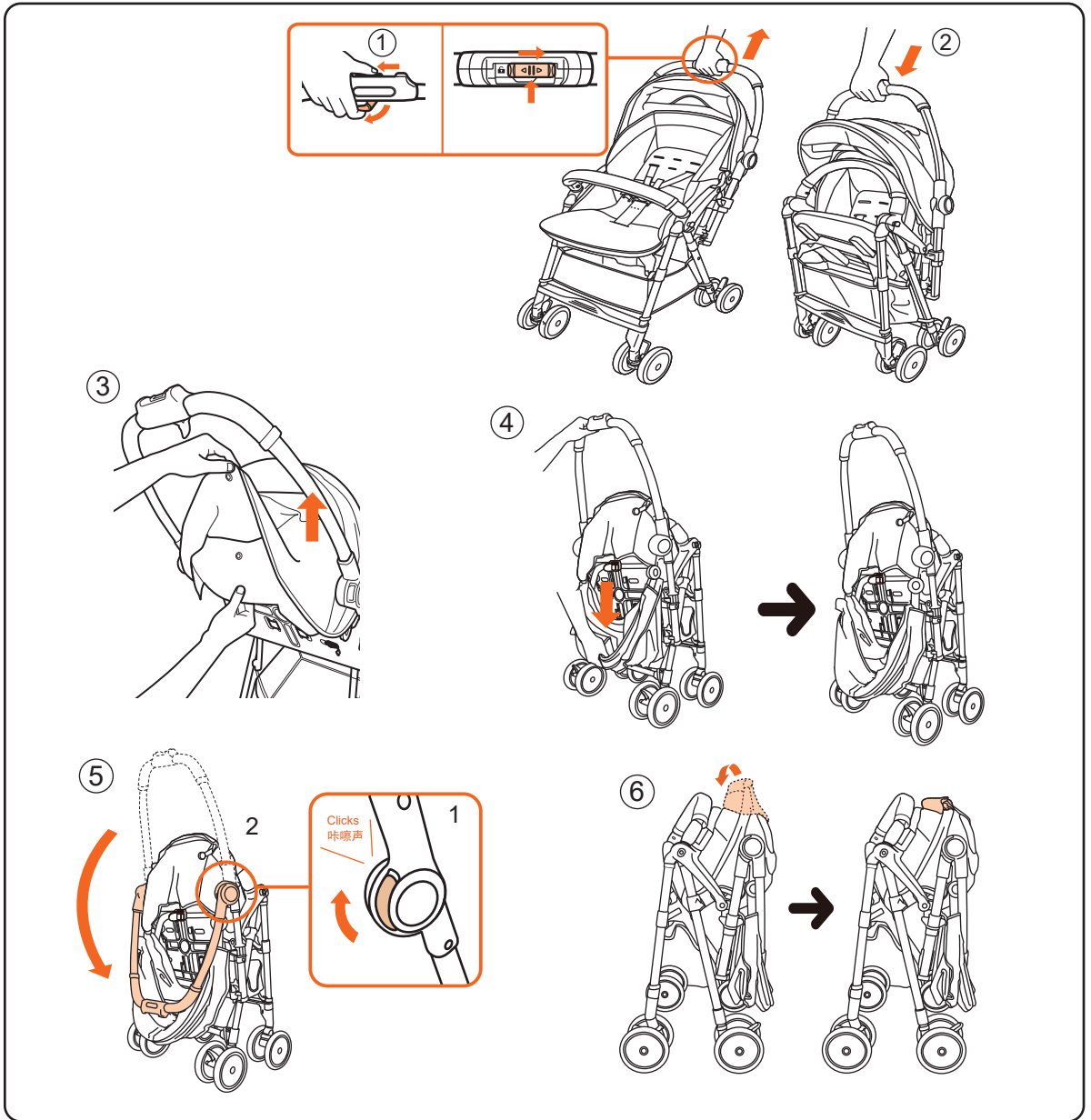
※ 包裝時，把手、遮陽篷、頭靠支杆呈折疊狀態。

⚠ 警告： 在收折手推車前，請確保與幼兒保持安全的距離，請勿讓幼兒觸及活動零件，並從置物籃中取出所有物品。

⚠ 警告： 切勿用手握住把手調節掣並開始折疊，否則可能會夾傷虎口。

⚠ 警告： 折疊後不能手握遮陽篷支杆拖行或提起車體，也不可以手握頭靠支杆拖行否則可能會導致變形等其它問題發生

Folding the stroller 收折手推車



Basket 置物籃

The basket can carry a maximum weight of 5kgs. You can attach and remove it using the belts and snaps according to step ①, ②, ③ and ④.

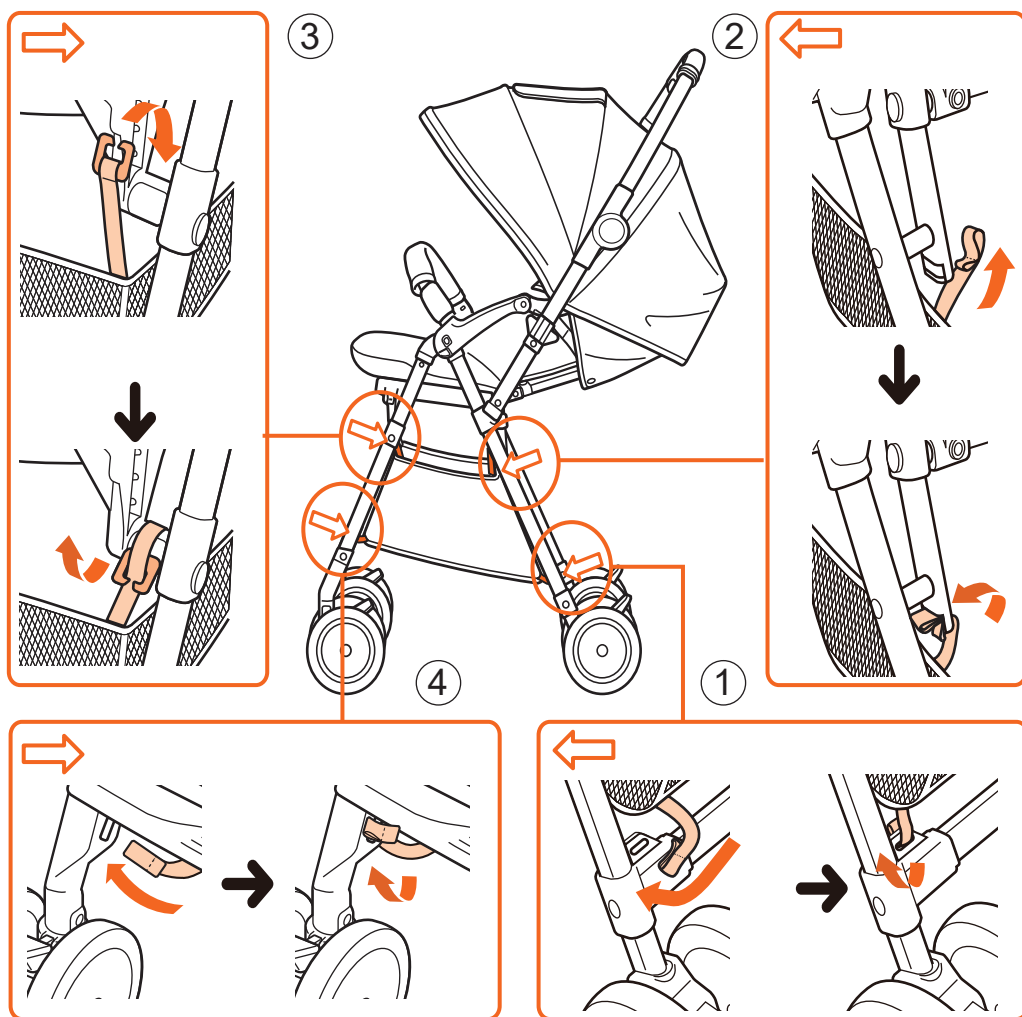
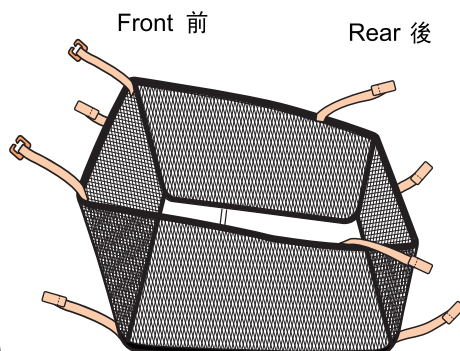
Pulling the U-shaped buckle, fastening belt to see if it is secured.

置物籃的最大載重量是5kg。
使用安裝帶子及帶扣並按照步驟①、②、③、④安裝或拆除置物籃。

通過拉拽確認U型鉤、固定帶是否已牢靠。

Max loading : 5kg

最大承載重量: 5kg



Detaching the seat cushion 座墊的拆除方法

- ① Press the crotch buckle release button and release the harness.
- ② Detach the snap on the seat cushion from the leg support bar (if the leg support bar is in use).
- ③ Release the snaps of elastic under the front end, Pull out crotch belt from seat cushion.
- ④ Release both elastic bands from backrest sides.
- ⑤ Release the snaps of elastic on both sides of the seat cushion .
- ⑥ Pull out shoulder and waist belts from seat cushion.

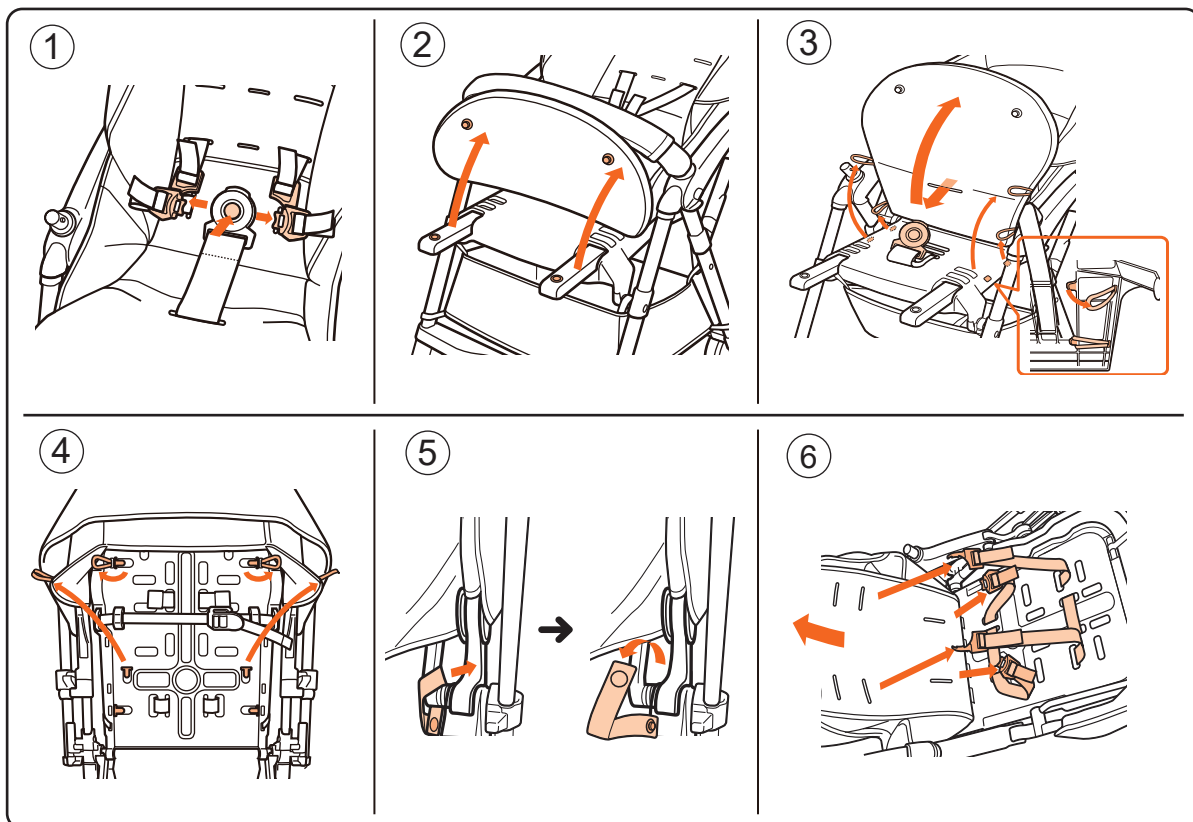
NOTE: To install seat cushion, go in the steps reverse.

⚠ WARNING: Make sure the seat cushion has been correctly attached before use.

- ① 按下安全帶扣解除安全帶，將插扣片從安全帶扣解下。
- ② 解除座墊末端和腿部支撐杆間的鈕扣(如有使用腿部支撐時)
- ③ 解除前端底下的鬆緊帶，將中央帶從座墊上拉出
- ④ 解除背板尾部兩側的鬆緊帶
- ⑤ 鬆開座墊兩側的彈性卡扣。
- ⑥ 將肩帶、腰帶從座墊拉出。

小提示：若安裝請按照相反的步驟來操作。

⚠ 警告：使用手推車前務必確認座墊已正確安裝。

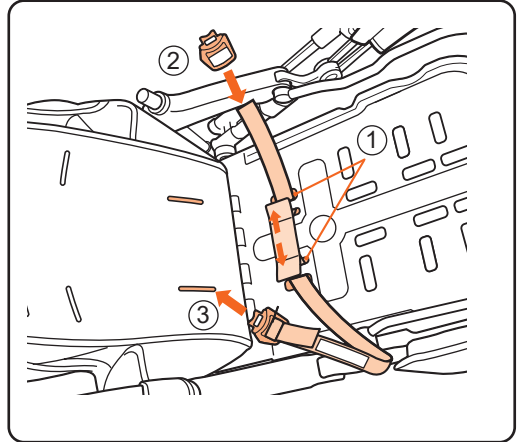


Attaching the waist belt 腰帶的安裝方法

- ① Remove two of insert plastics buckle from the waist belt.
- ② According to the direction of arrow instructions. Pull the waist belt through the 4 slits on the base board with the reverse side(waist belt) facing up.
- ③ Re-attach the insert plastic buckle and pull it out through relevant slots of seat cushion.

NOTE: Make sure to pull through all waist belt insert outlets(total 4 places)when attaching the waist belt.

- ① 先解除腰帶兩方的腰帶扣。
 - ② 將腰帶的內側向上通過背板上的4個腰帶穿孔。
 - ③ 再將兩方的腰帶扣安裝上去並且穿過座墊對應的穿孔。
- 小提示：安裝腰帶時必須要穿過（4個）腰帶穿孔。



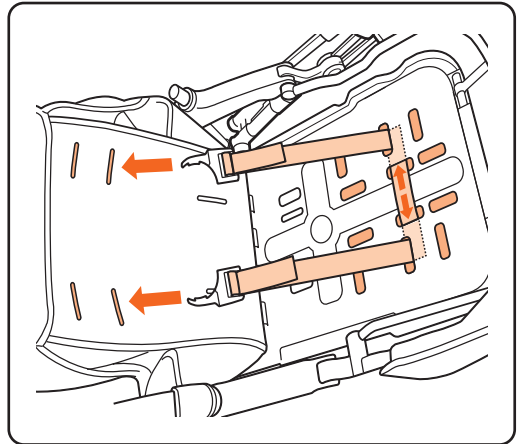
Adjust shoulder belt heights 調節肩帶高度

- ① Pull out shoulder belt from seat cushion and backrest.
- ② Insert the shoulder belt through the correct slots on the backrest.
- ③ Insert the shoulder belt through the correct slots on the seat cushion, make sure you use the slots in the same height.

NOTE: The lowest shoulder belt insert outlet should be used for children under 6 months.

- ① 先將肩帶從座墊及靠背上解除。
- ② 將肩帶穿過靠背上正確的肩帶孔。
- ③ 將肩帶穿過座墊上正確對應位置的穿孔，並確認兩邊穿孔在適當的高度。

小提示：當幼兒未滿六個月時，請使用最低的肩帶穿孔。



Maintenance and Cleaning 保養和清潔

- Never apply force on any mechanism or moving parts.
- To prevent mildew forming, do not store this product in a wet or humid environment.
- Avoid prolonged exposure of the product to rain or snow.
- Clean the plastic and metal parts with a wet cloth. For stubborn stains, use a diluted mild detergent.
- You may lubricate moving parts if the operation or movement of the stroller is not smooth. Do not apply excessive lubricant as it may stain with dust which may cause malfunction.
- Please do not apply any lubricating oil on open/fold lock, safety belt buckle, front guard plug, safety lock, folding lever and swiveling lock that will cause malfunction.
- 切勿強行拉動活動零件或裝置。
- 請勿將產品存放在潮濕的地方以免產品發霉。
- 避免將產品長時間暴露於雨水或雪霜之中。
- 請以濕布清潔金屬及塑膠部分。如遇頑固污垢，可使用稀釋的清潔劑。
- 若感到手推車操作或運行不順暢時，可以添加適量的潤滑劑。注意不要添加過多的潤滑劑，否則反而會容易沾上灰塵，引起操作異常。
- 注意某些部位不可以加潤滑劑，如把手操作部、座席安全帶扣、前護欄的安裝部、開閉鎖周圍、轉向輪回轉部，否則可能引起操作不良。

Cleaning and maintaining fabrics 清洗和保養縫製品

- Be careful not to damage of the plastics on canopy and the snaps from basket.
- Due to the characteristic of the product, the color may fade after numbers of washing.
- It is recommended to wash with neutral detergent. Do not use detergent containing fluorescent brightener or bleach. This may cause chapped skin or a rash.
- Always keep clean due to the condition of storage, the mildew may be generated.
- 請注意不要損壞車篷的塑膠部分或籃子的U字鉤子等。
- 根據產品的特性，會有輕微的褪色。
- 洗滌的時候建議使用中性洗滌劑。請勿使用含螢光劑、漂白劑的洗滌劑，因為可能會引起皮膚乾燥、濕疹等。
- 請小心洗滌及保持清潔，同時需確保縫製品保管於通風環境，避免發霉狀況。

Washing of the seat cushion, front guard cover, shoulder belt, waist belt

座墊、前護欄套、肩帶、腰帶的洗滌方法

- Hand wash in warm water or machine-wash gently .
- When using the washing machine, put the laundries into the washing net before washing. Otherwise a fray and damage may cause.
- After washing, please twist it gently to make it dry. Hard twist may leave folds onto the fabric.
- Some sewing parts can discolor, so it is recommended to wash and spin separately with other clothes. Do not soak into the water.
- Rinse thoroughly, wring out lightly, and then arrange the shape and dry in the shade.
- Do not use drying machine, iron and dry cleaning.
- 請以溫水手洗或弱速機洗。
- 使用洗衣機的時候，請將縫製品放入柔洗袋內，避免縫製品損壞。
- 洗滌後，請輕輕地擰乾，大力擰乾的話可能會使縫製品留下褶皺。
- 部分縫製品可能會出現掉色，請跟其他物品分開清洗，另外請避免浸泡。
- 徹底清洗後，輕輕擰乾後，整理好形狀，放於陰涼處晾乾。
- 請勿使用烘乾機、熨斗及乾洗。

Washing of the canopy, basket, crotch belt

遮陽蓬、置物籃、中央帶的清洗方法

- Do not soak into the water. Use sponge or brush wipe off the dirt with warm water.
- After wipe off the dirt by detergent, use a cloth to wipe off the excess water and detergent.
- Dry in shade area after wipe off water.
- 請勿將縫製品浸泡在液體中。請用海綿或毛刷並使用溫水來擦拭污垢。
- 當使用清潔劑擦拭後，請以幹布或海綿將多餘的水分或清潔劑抹淨。
- 擦拭後請置於陰涼處陰乾。

產品名稱及型號	:	手推嬰幼兒車 NE-YO Compact
製造年份	:	請參考車體腳管貼紙
進口商	:	台灣康貝股份有限公司
地址	:	台北市11493內湖路一段360巷6號6樓
電話	:	(02)7720-8585
統一編號	:	12946262
製造廠商	:	康貝控股有限公司
地址	:	香港九龍尖沙咀漢口道28號亞太中心1003室
原始製造國	:	中國
適用年齡	:	一至三十六個月
最大體重	:	15kg以下
置物籃最大承載重量	:	5kg以下
主要成份或材質	:	鋁合金、聚酯纖維布、聚丙烯塑膠
使用方法	:	請依說明書組合使用
注意事項	:	乘坐時務必繫好安全帶。
緊急處理方法	:	盡速送醫急救。

Combi Corporation

183536100