

Combi

CROSSGO 4CAS



EN

Instruction manual

繁體中文

說明書

IMPORTANT : KEEP THESE INSTRUCTIONS FOR FUTURE REFERENCE.

WARNING (Incorrect operation may cause serious injury or death)

Please read this instruction manual carefully and keep it for future reference. The safety of the child may be seriously endangered if the instructions are not followed. You are personally responsible for the safety of your child.

- The stroller is suitable for children from newborn 1 month to 15kg (approximately 3 years old) .
- Always apply the parking brake when you are stationary.
- Do not rely too much on the stopper even when the stroller is parked empty.
- Even with all stopper engaged, always stay close to the stroller when it is carrying a child.
- Keep all small parts away from children as they are choking hazard.
- To prevent the risk of suffocation, always keep the plastic bags out of the reach of children.
- Overloading, incorrect folding and the use of non-approved accessories such as buggy boards may damage or break this stroller.
- Make sure to use the seat belt (crotch belt, waist belt and shoulder belt) when the child is seated. The front guard is not designed to prevent the child from standing up. Check if the seat belt fits properly, otherwise the baby may fall off from the stroller.
- Pay attention to child even when seat belt is in use in case of any sudden movement of child causing it to fall off.
- Do not cross the shoulder belts with each other when securing the shoulder belts to the insert plastic. Otherwise excessive pressure may be caused to child's neck.
- Do not use the seat cushion on which rift is found. Otherwise the seat cushion may not function as designed or the child may have chance to swallow the material inside the cushion.
- Seat cushion can play a protective role. When the stroller is not installed with a seat cushion, please stop using the stroller. Otherwise, there may be risk of injury.
- Do not leave the stroller when the child is seated.
- Make sure the open-fold lock is engaged completely before use. Otherwise the stroller may fold suddenly in use.
- Do not let the child operate the front guard. It may make the child to fall off from the stroller.
- Do not allow your child to stand in or on the stroller, it may be dangerous.
- Do not lean on or hang loads on the handle.
- Do not hang parcels or accessory items (except Combi original accessories) on the stroller, otherwise tipping over may happen to stroller.
- Never carry more than one child in the stroller. Do not allow a child to ride or sit on any area other than the seat.
- Excessive weight may cause a hazardous unstable condition exist. (Maximum load:15kg. Basket maximum load:5kg)
- Do not use the stroller on stairs.
- Do not let children operate the baby stroller to avoid tipping over or accident.
- Be careful of those around you to avoid pinching their fingers when you are opening or folding the stroller or adjusting the seat angle.

IMPORTANT : KEEP THESE INSTRUCTIONS FOR FUTURE REFERENCE.

WARNING (Incorrect operation may cause serious injury or death)

- Keep your child's fingers/hands away from moving/folding parts when folding or unfolding or adjusting the stroller.
- Do not apply a lifted seat to baby who cannot sit straight by itself, the most reclined position is recommended for newborns.
- When pushing the stroller, please walk slowly to avoid any damage to the stroller swivel wheels or any tipping over.
- Open the baby stroller in clear area to avoid pinching baby's finger.
- The used insert outlet from base seat and the cushion should be matched. (e.g. upper insert outlet of base seat should match with upper insert outlet of cushion) . Otherwise, the shoulder belt may not be long enough to harness the baby.
- It is extremely dangerous to adjust the seat angle when pushing the stroller. Do stop the stroller first before operation.
- Mind the road when move the stroller and prevent any wheel get stuck in the gap of the drainage ditch cover(s).
- Child may slip into leg openings and strangle. Never use in reclined carriage position(s) unless the ASTM-footcover is attached.
- **Never leave the child unattended. It may be dangerous to leave your child unattended.**
- **Ensure that all the locking devices are engaged before use. Such as adjust your seat belt length, fasten your seat belt correctly and the stroller is fully opened.**
- **Always use the restraint system to avoid any possible accident.**
- **Do not use in a reclined angle less than 150° for a child under 6 months old.**
- **Any loading attached to the handle affects the stability of the stroller.**
- **Please always fasten the five-point seat belt to ensure the baby's safety.**
- **This product is not suitable for running or skating.**
- **Do not let the child play with this product.**
- **To avoid injury ensure that your child is kept away when unfolding and folding this product.**
- **Do not place the stroller near fire, high temperature, pool, or electric source.**
- **Only replacement parts supplied or recommended by the manufacturer/distributor shall be used. Only use original accessories and parts that have been approved by the manufacturer. Do not make any modifications to the product.**

⚠ CAUTION (Incorrect operation may cause injury or component damage)

- Make sure all snaps are secured when attach the seat cushion to stroller. Otherwise accident or damage to stroller may happen.
- Loose the shoulder belts and support the backrest with the other hand before lowering the seat angle with a child seated. Do not suddenly change the seat angle while a child is seated.
- Adjust the length of seat belt properly after change of the backrest angle.
- Please do not touch the folding lever except when folding the stroller.
- When opening or folding up the stroller, be careful and avoid the seat cushion, seat belt, blanket and toys, etc., being pinched into the stroller body.
- If one gives excessive shock to the front wheels when getting over the step, stroller may fall down and cause damages. When stepping over, such as a curb, please slow down even a slight difference level, pull downward the handle and step on the foot-step, and make sure to pass the front wheels to get over the step. When going over any step, be cautious of the bumping of the self-supporting rod against the step.
- Never lift the stroller or use it on escalators or stairs when your child is sitting or lying in the stroller.
- This stroller requires regular maintenance by the user.
- Before use, check that the product and all its components have not been damaged during transportation.
- Please do not use the stroller in whatever purposes other than seating a baby. Failure to comply may result in damage of the stroller.
- Do not pull or twist or forcibly press down the front guard hardly. Otherwise the stroller may be damaged.
- Lift the backrest a little to use if the seat is found too narrow when fully reclined. However, the baby should be able to sit straight when stroller is used in such way.
- Do not let an adult sit on the stroller, or add loading on the stroller to avoid any damage to it.
- Avoid continuous outdoor usage particularly during day time in summer.
- Avoid storing the stroller in save places under high temperature, near a heat source or inside a car. Exposure to high temperature may damage or deform the stroller.
- Check regularly that all screws, bolts and nuts are engaged tightly.
- For use on trains:
This product is not designed to be used on trains. When user attempts to use the product at his /her own risk, please lock stopper in case of sudden brake or turning. Otherwise stroller may fall off.
- Do not press on the folding lever while lift the stroller to avoid damage to the part.
- Make sure the basket is empty before folding up the stroller.
- Make sure the canopy is completely folded up before folding the stroller to avoid damage of the parts.
- Do not lay down the stroller and do not put things on the canopy to avoid deformation.

⚠ CAUTION (Incorrect operation may cause injury or component damage)

- Do not get hold of an opened front guard to pull the baby stroller.
- Even have stopper, this stroller may also be accidental slip or overturned.
- Do not leave baby stroller at road side or slope even when it is not in use.
- Do not use the stroller on steep slopes, stairs, escalators, rough roads, beaches, mud, etc.
- When pushing the stroller, please pay attention to any hole or track on the ground to avoid the front wheel from accidentally getting jammed and tipping over.
- In the event of damage or operation problems, stop using the stroller immediately and keep it out of reach of children.
- Never leave the stroller close to stairs or steps.
- In the event of damage or operation problems, please contact customer service center (or local distributor).
- Only use on a flat, relatively smooth, stable and non-slippery surface. Do not use the stroller in snowy, windy days or wet road to avoid the stroller or guardian from slipping.
- Do not use the stroller in lightning days to avoid thunder stroke.
- Do not attach other accessory like buggy board on the main body during a child being carried in stroller, otherwise accident or damage to stroller may happen.
- Do not use the stroller on public vehicles.
- Lift front wheels and pay particular attention to gaps or ditch when crossing rail road to avoid the front wheels from accidentally getting to jammed and tipping over.
- No continuous use for a long period: Continuous use for a long period of time may exhaust baby. No continuous use of more than 2 hours for a baby in a reclined seat and 1 hour in an upright seat.
- When feel jammed, please do not forcibly fold the stroller to prevent from any damage. You should reopen the stroller to check and operate again.
- Turn swivel wheels to inner side and lock up before folding the stroller. Improper position may cause stroller becoming imbalanced after folded.
- Do not put things that are too sharp or too large into the basket since it may cause damage to the basket.
- Please regular cleaning and checking the stroller. Only use neutral detergent to clean the stroller body.
- Make sure no oil or lubricant is left on parts such as front guard or armrest where baby may have chance to lick.
- Please contact customer service center (or local distributor) for replacement if you find the tyre wear seriously affect movement.
- Parking device shall be engaged when placing and removing the children.
- Any load attached to the handle and/or on the back of the backrest and/or on the sides of stroller will affect the stability of the stroller.
- Fasten the safety belt securely, but do not have it too tight.
- Do not hold the front guard to lift the stroller while a child seated. Failure to comply may cause the stroller to fold up suddenly, release the front guard accidentally, or cause the



CAUTION (Incorrect operation may cause injury or component damage)

stroller to slip off.

- When traveling on vehicles such as subways / high-speed rails, please mind that the wheels of your baby strollers are not caught by the door, and please mind the gap between the platform and the train.
- When the child's foot comes into contact with the floor or the wheel, stop using the stroller lest it be hurt.
- Do not use in a lying angle if the child's head is beyond the backrest.
- Do not trust the effect of reflective stickers too much. Reflective stickers may not work well due to poor status or long usage.

重要-使用前請詳細閱讀本說明書並妥善保存作日後參考之用

警告 (錯誤操作可能引致重大傷害或死亡)

不按照本使用說明書指引使用手推車，可能對幼兒造成重大傷害。
幼兒的安全是您的責任。

- 本產品適用於一個月初生兒至15公斤（大約三歲）的幼兒。
- 停止手推車時，請使用停車鎖。
- 不論有否承載嬰兒，停車時勿過分信賴停車鎖的性能。
- 即使已使用停車鎖，如載有嬰兒，應隨時留意手推車附近，以防任何危險發生。
- 切勿將小配件放近幼兒，以免幼兒吞下而造成窒息的危險。
- 為了防止幼兒窒息的危險，在拆開包裝後，請將塑膠袋之類的包裝物料丟棄。
- 過分超載，錯誤折疊以及使用未經認可的附件會對手推車造成損壞。
- 乘載幼兒時必須繫上安全帶，安全帶包含中央帶，腰帶和肩帶。前護欄不能防止幼兒從座墊上站起來。請確認安全帶沒有鬆脫，以免幼兒突然跌出手推車。
- 為防止幼兒突如其來的動作令其跌出手推車，即使已經扣上安全帶，也請經常留意幼兒，小心使用。
- 肩帶扣在插扣片上時，請勿交叉肩帶，以免肩帶對幼兒頸部造成壓迫。
- 請勿使用已破損的座墊，以免座墊不能發揮其應有功能，或令幼兒誤吞內裡的棉花等。
- 座墊起保護作用，推車未安裝座墊時禁止兒童使用，否則可能有造成傷害的風險。
- 當兒童乘坐時，看護人不要離開。
- 使用前一定要確認開關鎖已鎖上，否則手推車會有突然折起的危險。
- 不要讓幼兒操作前護欄以免其意外跌倒。
- 不可讓幼兒站立在車上，這是十分危險的。
- 切勿把身體靠於或把重物掛於把手上。
- 切勿懸掛物件（康貝原廠的配件除外）於車篷或把手上，以免引致手推車翻倒。
- 切勿承載超過一名幼兒，或讓幼兒坐在座椅以外的地方。
- 承載超重會容易產生不穩定的危險情況，產品最大承載重量：15公斤，置物籃最大承載重量：5公斤。
- 禁止於樓梯間使用手推車。
- 不要讓幼兒操作手推車，以免手推車翻倒或發生其他意外。
- 開關手推車或調節座席靠背角度時要注意四周旁人及小孩，以免夾傷指頭。
- 開關或調節手推車時，請勿讓幼兒的手接觸活動零件部分。
- 對還未能坐直的幼兒，請勿使用直立角度，請以最平躺角度使用。新生兒建議使用最平躺的角度。
- 推動手推車時請勿奔跑，應慢慢步行，以免轉向輪損壞，或引致翻倒等意外。
- 打開幼兒手推車時不要讓他人接觸，以免意外夾傷。
- 在座席使用的肩帶穿孔和座墊的肩帶穿孔位置要一致。如使用座席的上方肩帶穿孔，座墊亦同樣要使用上方肩帶穿孔，不然肩帶有可能因長度不足緊緊幼兒。
- 一邊推行一邊調整座席角度是非常危險的，請勿同時進行。
- 推行時請注意路面狀況，不要讓手推車卡入排水溝蓋的縫隙中。
- 孩子可能會滑落並導致窒息。當平躺時，請使用ASTM腳套。

重要-使用前請詳細閱讀本說明書並妥善保存作日後參考之用

警告 (錯誤操作可能引致重大傷害或死亡)

- 不應在無人照顧下把嬰兒獨留於嬰兒車內，以免發生危險。
- 使用手推車前請確保推車所有鎖定裝置都已處於鎖定狀態，如安全帶長度調整，座墊扣環扣上，推車已完全展開。
- 為了防止意外發生，孩子乘坐時必須繫上安全帶。
- 當靠背角度少於150度時，不適合6個月以下幼兒使用。
- 在把手上放置任何負載都會影響車輛的穩定性。
- 請一直將五點式安全帶扣上，以確保寶寶乘車時的安全。
- 此產品不宜於跑步或溜冰時使用。
- 請勿讓小孩玩耍本品。
- 為避免傷害，當產品在折疊和展開時，請確保你的孩子遠離產品。
- 使用時應遠離高溫、火源、水池或電源等鄰近範圍。
- 請勿使用未經製造商認可的附屬物。請勿使用非原廠供應的零件替換或自行改裝手推車。
- 任意放置未經製造商核可之物品於車台上將造成危險。

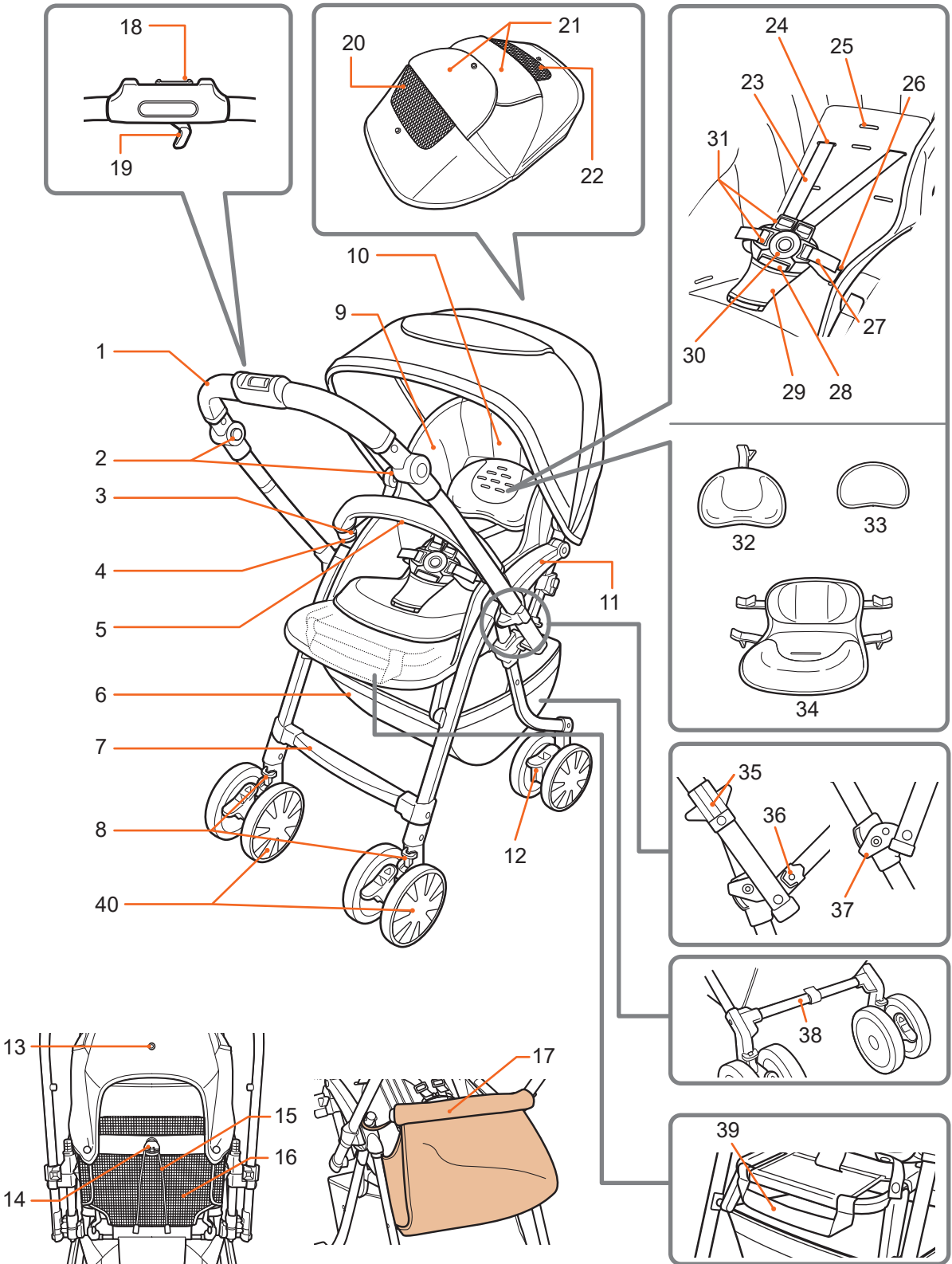
注意 (錯誤操作可能引致受傷或元件損壞)

- 安裝座墊時，請確保所有帶扣等已經裝好，以免引致意外或造成損壞。
- 在已承載幼兒的狀態下調整座席角度時，請先將肩帶調鬆，然後以另外一隻手支持著靠背調節，請注意勿讓座席角度突然改變。
- 調整座席角度後，請重新調整安全帶至適當長度。
- 除開折手推車外，請勿觸碰開關掣。
- 當打開和收折推車時，請注意及避免可裝拆的座墊、手推車的安全帶、被子及玩具夾在手推車車體上。
- 當越過不同段差時，若強行附加力量於前車輪上使之與段差碰撞，可能引起手推車損壞和故障，當越過段差時，即使是微小段差區的地方也應減緩推行，並踏上後腳支桿及往後按下把手往前行，確保前車輪越過段差才可通行。推行時請注意自立桿和段差台的碰撞。
- 當幼兒乘坐時，請勿在手扶梯上使用或搬動手推車。
- 使用者必須對本產品作定期保養。
- 每次使用前請檢查配件是否在運輸過程中被損壞。
- 請勿將手推車作承載幼兒以外的用途，否則會引致損壞。
- 請勿用力拉動、扭動、壓下前護欄，以免引致損壞。
- 假如放低椅背使用時座位太窄，可以將靠背調高一點使用。但注意幼兒應已差不多能獨自坐直，才可這樣使用。
- 請勿讓成年人坐上手推車，或在上面放置重物，以免損壞手推車。
- 請避免連續長時間使用，特別是在夏天。
- 避免將手推車存放於高溫，接近熱源的地方或車廂內，因高溫可使手推車損壞或變形。
- 請定期檢查所有螺絲是否上緊。
- 有關火車上的使用：
本產品並非以火車上的使用為目的所設計的產品。假如閣下自行決定於火車上使用，請小心注意，並鎖上停車鎖，以免轉彎或剎車時令手推車翻倒。
- 請勿在提起手推車的狀態下按下開關掣，以免引致元件損壞。
- 收起手推車前請先確認置物籃內的物品已取出。
- 收折前請先確認車篷已經完全收起，以免引致組件損壞。
- 收起手推車時，請避免橫放，或於上面置放重物，以免車篷變形。
- 請勿手執開放的前護欄來拖動手推車。
- 即使已經鎖上停車鎖，手推車也有可能意外滑動或翻倒。
- 即使幼兒不在車上，也不可將手推車隨意放在路旁或斜坡等危險地方。
- 不可於斜坡、階梯、自動扶梯、顛簸坡道、沙灘、泥地等場所使用手推車。
- 推動手推車時請小心路上凹陷之地方，以免前輪意外陷進溝內令手推車翻倒。
- 如手推車出現損壞或操作問題，應立即停止使用，並將其存放在遠離幼童的地方。
- 請勿將本產品放近樓梯或梯級上。
- 如發現手推車損壞或有操作問題，請聯絡客服中心（或當地經銷商）。
- 只可在乾燥的平地上使用。請勿於雪地和強風時或濕滑路面上使用，以免令手推車或監護者意外翻倒。
- 請勿於打雷時使用手推車，以免意外遭受雷擊。
- 請勿外加任何以輪板或元件於主體上承載幼兒，以免發生意外或對手推車造成損壞。
- 請勿於公共汽車上使用手推車。

注意 (錯誤操作可能引致受傷或元件損壞)

- 跨越火車軌和汽車道的十字道口等時，請提高前輪跨越間隙，以免前輪意外卡在溝內引致翻倒。
- 禁止連續長時間使用：連續長時間使用會對幼兒造成負擔。躺臥姿勢的連續使用時間上限為2小時，坐著姿勢的則為1小時。
- 感覺有異物卡住時，請勿強行折疊，以免造成損壞。應先打開手推車，確認後再操作。
- 收折前請將轉向輪翻往內側然後鎖定。如果不將轉向輪鎖定在內側位置，收折後手推車將較易翻倒。
- 請勿承載太尖或太大的東西於置物籃中，以免置物籃損壞。
- 請定期清潔以及檢查手推車。請勿使用非中性的清潔劑清潔車架。
- 請注意勿讓油分附在幼兒有機會舔到的地方，如前護欄，扶手等。
- 如發現車輪外胎磨耗嚴重，影響推行，請聯繫客服中心(或當地經銷商)進行更換。
- 當放置和移開幼兒時請鎖定停車裝置。
- 為了手推車的穩定性，請勿將其他產品連接到推把、靠背的背部、手推車的側面等部位。
- 請牢牢繫上安全帶，但注意不要過緊。
- 切勿搬動承載了嬰孩的手推車，以免手推車突然收折。或手執前護欄等地方搬動手推車，以免手推車意外滑脫或令前護欄松脫以致手推車掉下。
- 在乘坐如地鐵/高鐵等交通工具時，請注意手推車的車輪不要被車門夾住，並請留意站台和車之間的縫隙。
- 當幼兒的腳接觸到地面和車輪時，請勿使用手推車，有可能造成腳受傷。
- 假如幼兒頭部超出靠背前端時，請勿使用躺臥角度。
- 請勿過於信賴反光貼紙的效果。根據使用狀況、年限，反光貼紙可能會無法確保效果。

List of components 部件清單



List of components

- | | | |
|-----------------------------|---------------------------------------------------------------------------------------------------------------------|------------------------------------|
| 1. Handle | 17. ASTM Foot cover (Only for packages that comply with ASTM safety standard. Taiwan does not have this accessory.) | 26. Waist belt insert outlet |
| 2. Adjustable button | | 27. Waist belt |
| 3. Front guard buttons | | 28. Crotch belt |
| 4. Front guard | | 29. Crotch belt cover |
| 5. Front guard cover | | 30. Crotch buckle |
| 6. Basket | | 31. Shoulder and waist belt buckle |
| 7. Foot rest | 18. Safety lock | 32. Head support |
| 8. Swivel wheel lock | 19. Folding lever | 33. EggShock pad |
| 9. Seat cushion | 20. Top window | 34. Body & hip support |
| 10. Headrest | 21. Top window cover | 35. Handle lock |
| 11. Armrest | 22. Ventilation window | 36. Open/Fold lock |
| 12. Stopper | 23. Shoulder belt | 37. Rear leg latches |
| 13. Canopy snap | 24. Shoulder belt insert outlet | 38. Rear stay |
| 14. Seat reclining buckle | 25. Head support insert outlet | 39. Carrying grip |
| 15. Reclining cord | | 40. The wheel cover |
| 16. Back ventilation window | | |

部件清單

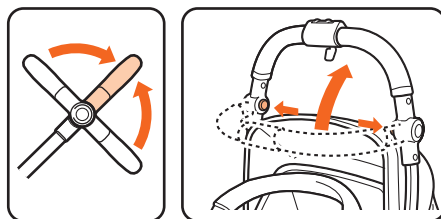
- | | | |
|-----------|--------------------------------------------|---------------|
| 1. 把手 | 17. ASTM腳套（僅附合美國ASTM安全基準的市場販賣品配備。台灣無搭載此配備） | 30. 中央帶鉤 |
| 2. 調節掣 | | 31. 肩腰帶鉤 |
| 3. 護欄鬆脫掣 | | 32. 護頭墊 |
| 4. 前護欄 | | 33. EggShock墊 |
| 5. 護欄套 | 18. 安全鎖 | 34. 護背連臀墊 |
| 6. 置物籃 | 19. 開關掣 | 35. 把手鎖 |
| 7. 腳踏 | 20. 遮陽篷天窗 | 36. 開關鎖 |
| 8. 轉向輪鎖 | 21. 天窗蓋 | 37. 後腳管活動鎖 |
| 9. 座墊 | 22. 透氣窗 | 38. 後腳支桿 |
| 10. 護頭板 | 23. 肩帶 | 39. 輕便提帶 |
| 11. 扶手 | 24. 肩帶穿孔 | 40. 車輪罩 |
| 12. 停車鎖 | 25. 護頭墊穿孔 | |
| 13. 遮陽篷按鈕 | 26. 腰帶孔 | |
| 14. 角度調節鉤 | 27. 腰帶 | |
| 15. 角度調節帶 | 28. 中央帶 | |
| 16. 背面透氣窗 | 29. 中央帶套 | |

Unfolding the stroller 打開手推車

The handle grip is returned to the straight position while pressing both adjustable button.

※ Handle grid is folded in sales package.

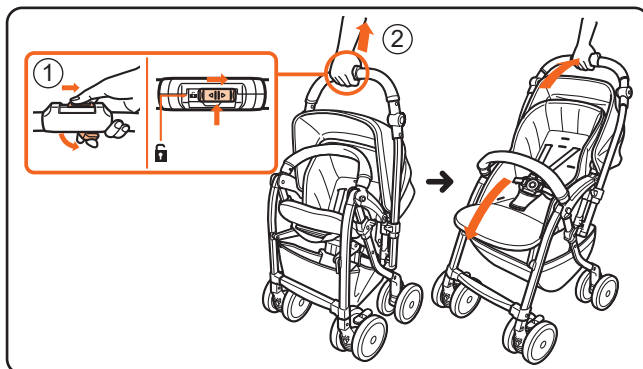
- ① Slide the safety lock as demonstrated direction and hold it in place.
- ② While holding the folding lever, lift the handle. Lift the stroller slightly and press the handle backward until it clicks. Then the stroller stretches out completely.



一邊按下左右推把高度調節按鈕，一邊轉動推把回到直桿狀態。

※包裝時，把手呈折疊狀態。

- ① 將把手上的安全鎖向箭頭方向滑動並握住。
- ② 同時握著並提起開關掣，稍稍提起手推車並用力向後下壓把手，聽到“咔嚓”一聲表明已完全打開。



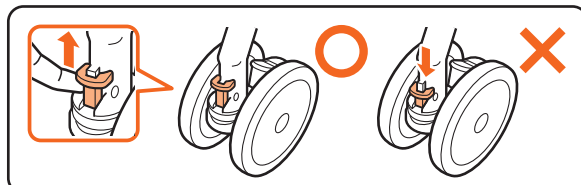
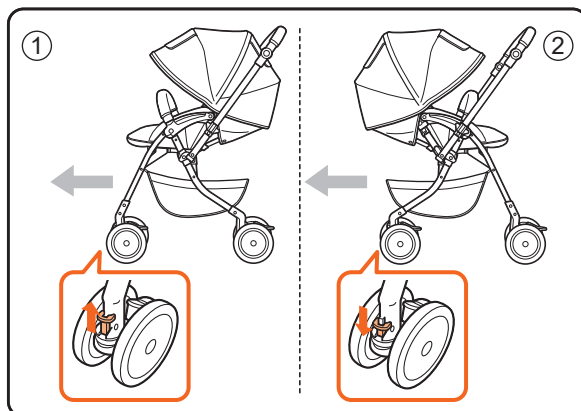
Using the swivel wheels 使用轉向輪

- ① To use the swivel wheels – Lift the swivel wheel locks (left and right) to release (according to the moving direction).
- ② Swivel wheels not in use – Press down the swivel wheel locks (the ones at the same direction of the user) to lock.

WARNING: When you switched the normal use of handle, please make sure to raise the swivel wheel locks to release the locks. If you do not release the locks, there is a possibility that the wheels are not automatically switched.

When reversing the handle, please release swivel locks (total 4 places).

When the wheels are locked in the wrong direction, the stroller may damage to the parts while open.



- ① 使用轉向功能時，向上推起轉向輪鎖（左右）以解除。
- ② 不使用轉向功能時，請按下和推行者同壹方向的2處轉向輪鎖以鎖定。

警告： 當您已切換至正常使用或正常把手，請務必將腳輪鎖提起解除腳輪。若不解除鎖定，這可能使腳輪不能自動轉換。

轉換把手時，必須解除轉向輪鎖（共4處）。車輪被錯誤的方向鎖住時，打開手推車可能損壞零件。

Using the stopper 使用停車鎖

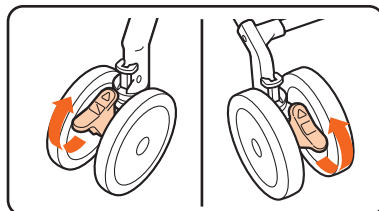
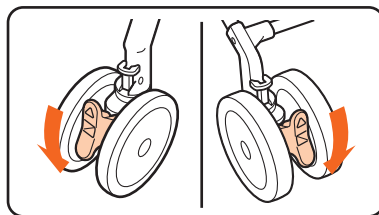
- ① To lock the wheels, press the stoppers down which are located at wheels on both left and right sides.
- ② Try to push the stroller back and forth slightly to ensure that the stoppers are properly engaged.

To release the stoppers, lift the stoppers to unlock.

WARNING: Always engage the stoppers when you leave the stroller.

- ① 壓下左右車輪的停車鎖。
- ② 輕輕前後推動推車，確認停車鎖已鎖定。
將停車鎖往上撥即可解鎖。

警告： 在遠離手推車時，請時刻謹記使用停車鎖。



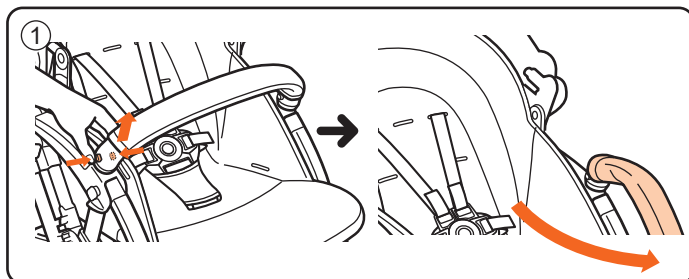
Using the front guard 使用前護欄

Open the front guard

- ① Press and hold the button at the end of the front guard as illustrated.

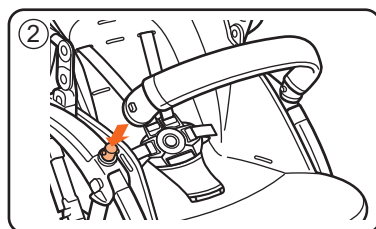
Detach the front guard.

- ② Lift the front guard and plug into the projected part at the end of the armrest. Pull the guard to check whether it is securely locked.



WARNING: Do not hold the front guard to lift the stroller while a child seated.

- ① 打開前護欄
如箭頭所指按下前護欄鬆脫掣。抽起前護欄。
- ② 安裝前護欄
請先將前護欄提起對準插口，然後插入安裝。用手拉一拉確認是否鎖定牢固。

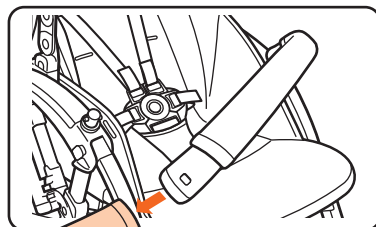


警告： 小孩乘坐時，請勿手執前護欄搬動手推車。

Detach the front guard cover 拆除前護欄套

Release the front guard and detach the cover from the front guard.

打開前護欄，從護欄上取下護欄套。



Adjusting the covering size of canopy 車篷大小的調節

① Hold the canopy stay and pull the canopy forward for full coverage.

② Hold the canopy stay and pull the canopy backward for reduced canopy coverage.

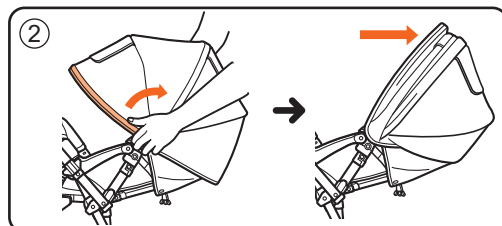
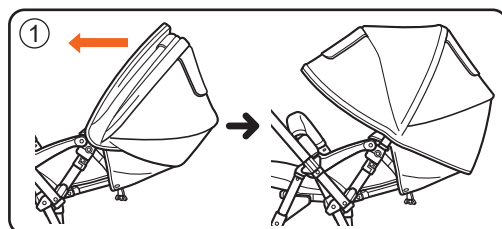
Note : The baby carriage can be directly folded if the canopy is in place. Be sure to fold the canopy when folding the stroller.

Opening with brute force may lead the canopy to be out of shape.

① 用手拉住車篷前支桿向前調節，即可展開車篷。

② 用手拉住車篷前支桿向後調節，即可收攏車篷。

小提示：在安裝了車篷的狀態下，也可以直接折疊嬰兒車。折疊嬰兒車時，請務必將車篷向後收攏折疊。使用蠻力打開，可能會使車篷變形。

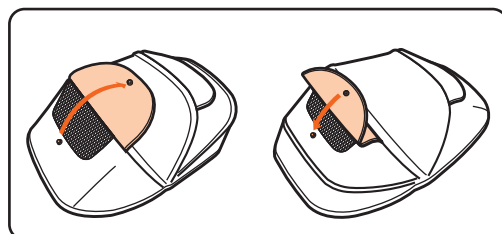


Using the top window and airtthrough window 使用天窗和透氣窗

Open top window or airtthrough window by releasing snap and flip the covers backward. Fasten the snap to close top window or airtthrough window.

打開天窗或透氣窗時請將鈕釦解開，將天窗/透氣窗蓋子向後翻開即可。

關閉天窗或透氣窗時將釦子重新釦上即可。



Using safety harness 使用安全帶

① Seat the child into the stroller and fit the shoulder belts on the child's left and right shoulder.

② Attach the insert plastics to the waist belts after confirming the left and right buckles.

③ Pull out the crotch belt and put the insert plastics into the buckle until a "Click" sound is heard.

Pull the shoulder belts and waist belts to check if it is secured.

④ Press the crotch buckle button to release the harness.

WARNING : Always use the restraint system.

Note : Adjust the length of seat belt properly after change of the backrest angle.

① 讓孩子坐在車內，使其肩膀左右與肩帶貼合。

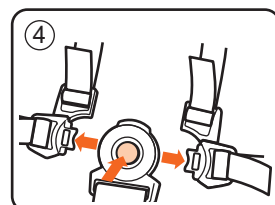
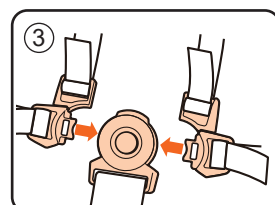
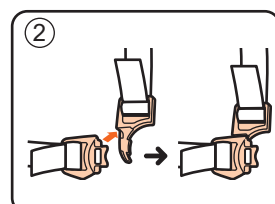
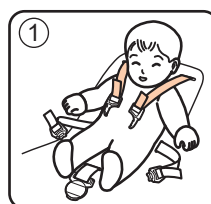
② 將肩帶扣疊在腰帶扣（左右）上。

③ 拿起肩腰帶扣左右插入中央帶扣，聽到“咔嚓”一聲，說明已安全插入。拉動中央帶，腰帶，肩帶，確認有無鬆動。

④ 若要解開安全帶，按下中央帶扣中間的按鈕即可解除。

警告：任何時刻都必須使用安全帶。

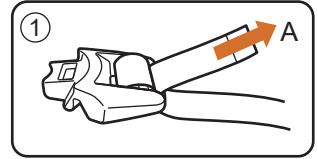
小提示：當改變靠背角度時，請謹記檢查並確認安全帶已作出最適當的調整。



Adjusting the waist/shoulder belt length 調節肩帶、腰帶的長度

- ① Pull the waist belt end as shown direction A to shorten.
- ② Loose and pull out the waist belt as shown direction B, then pull it inward to extend the length as shown direction C.

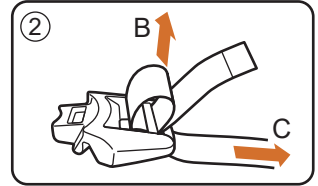
Use the same method on waist belt to adjust the shoulder belt.
NOTE: Always leave at least 3cm at the belt end.



- ① 收緊時，將腰帶的前端位置往圖標箭頭A方向拉。
- ② 延長時，將腰帶表側往B箭頭方向鬆脫出來，然後再將腰帶向裡側往C箭頭方向拉。

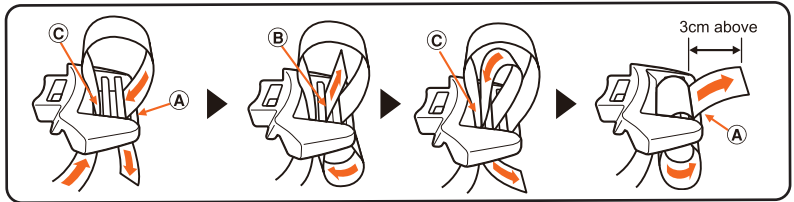
肩帶的調節方法同腰帶的調節方法一致。

小提示：注意腰帶末端應留下3cm以上的長度。

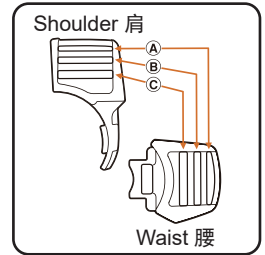


Attaching the insert plastics 將肩帶、腰帶裝到插扣片上

- ① Use the waist belt end to pass through from the buckle back slot (C) and slide out to slot (A).
- ② Pull out the waist belt end from slot (B).
- ③ Slide out the waist belt end through slot (C).
- ④ Pull out the waist belt from slot (A) and adjust the applicable length. (Leave 3cm or above)



- ① 將腰帶前端從穿孔(C)穿出再通過孔(A)拉出。
- ② 將腰帶前端通過穿孔(B)拉出。
- ③ 將腰帶前端再向穿孔(C)通過。
- ④ 最後將腰帶向穿孔(A)拉出，並調至到合適的長度。(保留3cm以上)

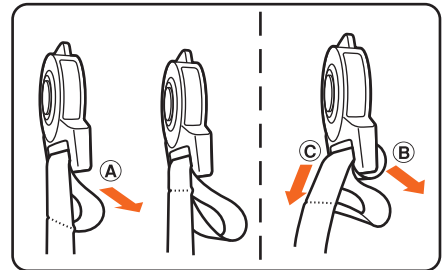


Adjusting the crotch belt 調節中央帶時

- Tightening - (A) Pull the crotch belt end as shown direction.
- Extending - (B) Follow the direction of arrow and pull out the belt to end.
- (C) Follow the direction of arrow and pull the belt to the end.

收緊中央帶時，如圖(A)拉出中央帶內側的安全帶到最末端，為最短狀態。

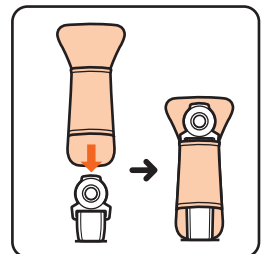
延長時，如圖(B)箭頭方向拉出中央帶末端安全帶後按照圖(C)箭頭方向拉到底，為最長狀態。



Attaching the crotch belt cover 中央帶套的安裝方法

Pull the crotch belt through crotch belt cover, pull out the buckle button.

將中央帶穿過中央帶套，拉出安全帶鉤。

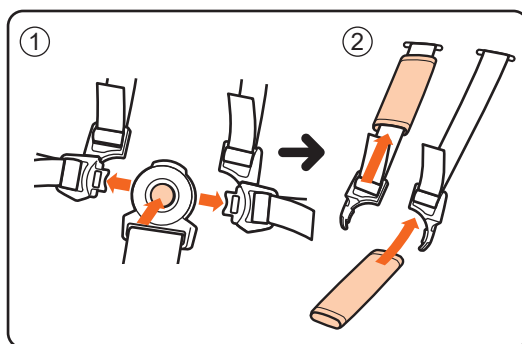


Attaching the shoulder belt cover 肩帶套的安裝方法

- ① Press the buckle button to unlock the seat belt.
- ② Make sure that the shoulder belt is on the right side before passing it through the shoulder belt cover.

* Please check that whether the shoulder belt is twisted in the belt cover.

- ① 按下中央帶扣按鈕，解開安全帶。
 - ② 確認肩帶正反面，穿過肩帶套。
- ※請確認肩帶在护套中是否有扭曲。



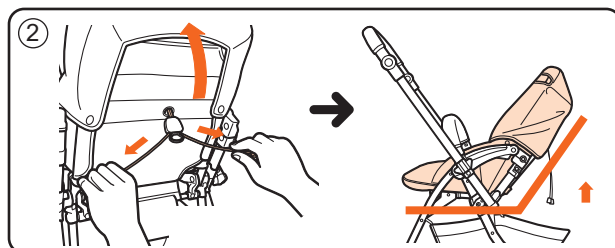
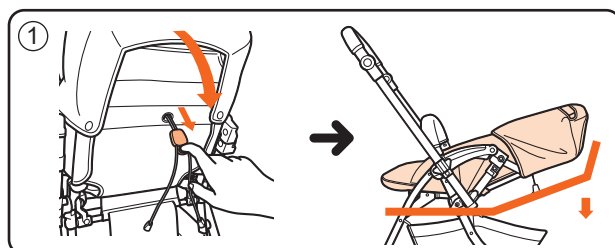
Reclining the backrest 調節靠背角度

- ① Recline - Support the backrest with one hand then pull down the seat reclining buckle.
- ② Upright - Pull the reclining belt by both hands at the same time.

NOTE : Raising the backrest may be difficult while a child is leaning on the backrest.

- ① 調低靠背角度時，先以單手支撐著小孩身體，然後將角度調節釦往下拉調低靠背。
- ② 調高靠背角度時，將兩條角度調節帶往左右拉使角度調節釦往上即可。

小提示：幼兒靠在靠背時，角度調節會變得困難。

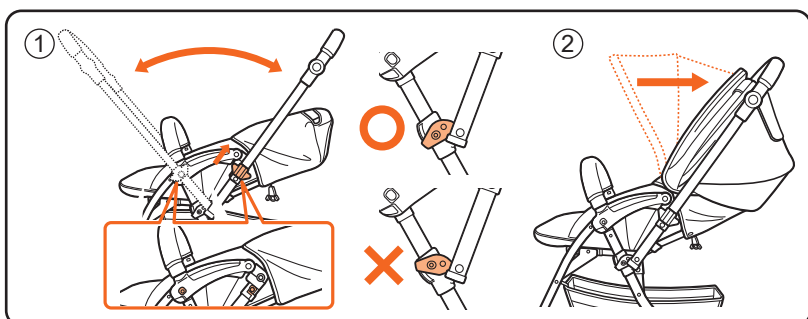


Reversing handle 手推車換向

Lift and release the handle locks to change the handle direction until the locks are secured in places as Figure ①.

① .

如圖①，將左右兩邊的把手鎖拉起解除後轉換把手方向，直至把手鎖重新鎖上為止。



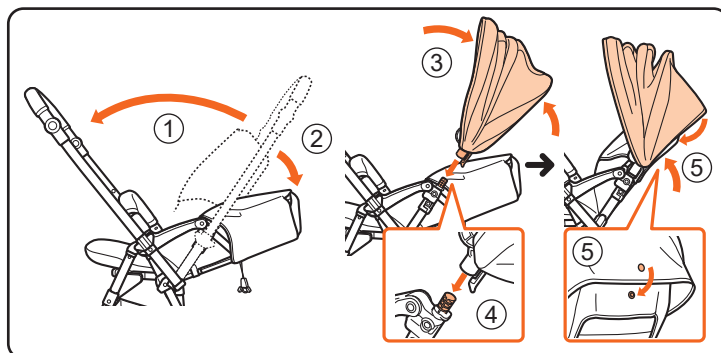
Detaching the sun canopy 拆除車篷

When uninstalling the sun canopy, pull out the canopy joint end gradually, pull up the canopy away from the holder as Figure ② above.

拆卸時按住車篷插桿的卡爪，同時從車篷插座中拔出，如上圖②。

Attaching the sun canopy 安裝車篷

- ① Switch the handle to face rear.
- ② Recline the backrest to the lowest position.
- ③ Place the canopy facing the proper direction, fold the canopy.
- ④ Fully insert the canopy joint into the canopy holder.
- ⑤ Lift up the backrest and fasten the canopy snap.



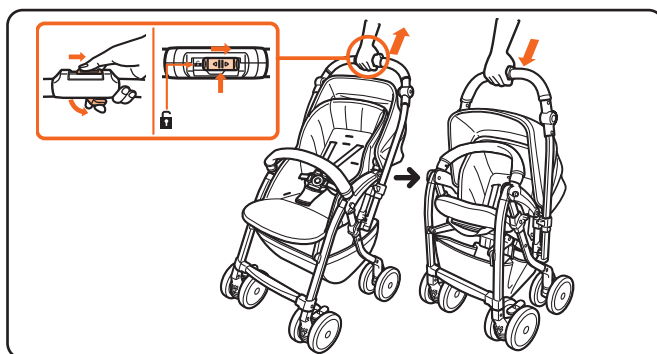
- ① 將把手置於對面位置。
- ② 將靠背調至最低位置。
- ③ 確認車篷前後方向，折疊車篷。
- ④ 然後將車篷插桿插入車身上插座之中。
- ⑤ 立起靠背，鎖定車篷鈕釦。

Folding the stroller 收摺手推車

Slide to release the safety lock of direction as illustrated.

Grip the folding lever and slightly lift up the handle, then press down the handle as illustration to fold the stroller.

如圖中箭頭方向拉動安全鎖解除。一邊握住開關掣，一邊提起把手，然後按下把手，推車被折疊起來。



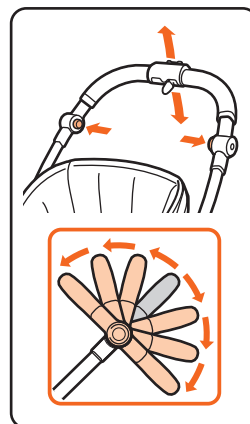
Adjusting the handle position 推把高度調節方法

- ① Adjust the angle of handle grip by pressing both adjustable buttons.
 - ② Release the adjustable button after selecting the appropriate angle.
- ※ Make sure handle grip is engaged completely after changing the angle.

WARNING: When opening and closing the stroller, please ensure your child and other children are kept at a safe distance. Please ensure that they are not in contact with any mounting parts. Remove all items from the basket before folding the stroller.

- ① 一邊按下左右兩邊的推把高度調節按鈕，一邊調節推桿的角度。
 - ② 調節到合適角度時，鬆開推把高度調節按鈕。
- ※ 推把高度調節後，請上下推動推把桿，確認是否有鬆動。

警告： 在收摺手推車前，請確保與幼兒保持安全的距離，請勿讓幼兒觸及活動零件



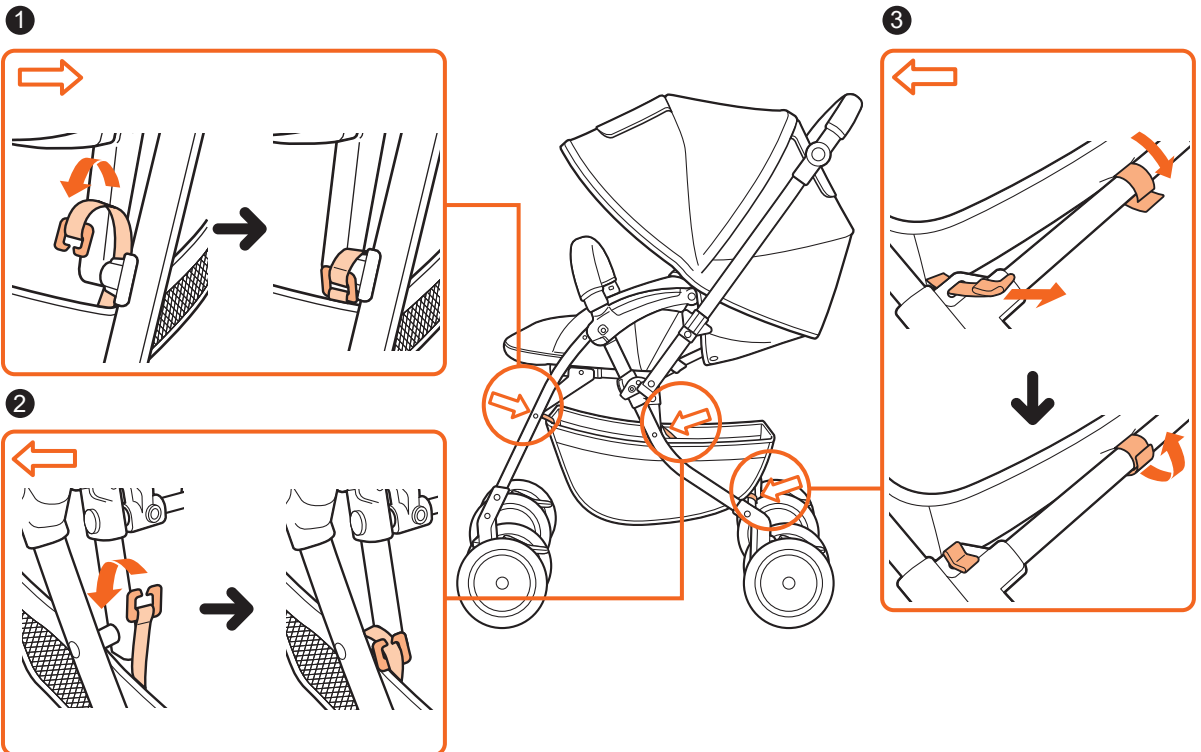
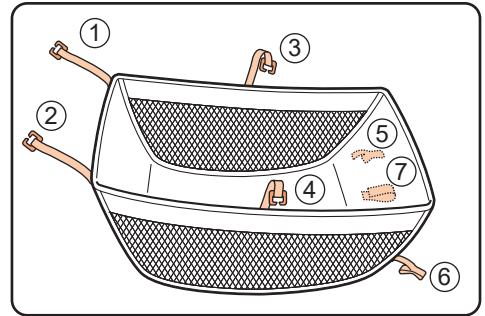
Basket 置物籃

- Roll two fastening installation belts ① and ② in front of the basket into the stand and lock with U-shape buckle in front of the installation belts.
- Roll two fastening installation belts ③ and ④ in middle of the basket into the installation shelf of basket under the carriage on the rear side and lock with U-shape buckle.
- Lead two fastening installation belts ⑤ and ⑥ behind the basket through the installation belt holes on the left and right sides of the rear-wheel stand and fix them.
Roll the nylon buckle ⑦ in the middle of the rear side of basket into to the middle position of rear-wheel stand and fix it.

Pull the U-shape buckle, fastening installation belt and nylon buckle to make sure whether they are fixed.

- 將位於籃筐前方的2處。固定帶①、②繞在支架上，然後使用位於固定帶前端的U型鉤鎖定。
- 將位於籃筐中間的2處固定帶③、④繞在位於車體下方後側的置物籃安裝架上，然後使用U型鉤鎖定。
- 將籃筐後方的固定帶⑤、⑥穿過後輪支桿左右的安全帶通孔並鎖定。將籃筐後方中間的尼龍搭鉤⑦繞在後輪支桿的中間位置並鎖定。

最後，通過拉拽確認U型鉤、固定帶、尼龍鉤環是否已牢靠鎖定。



Detaching the seat cushion 座墊的拆除方法

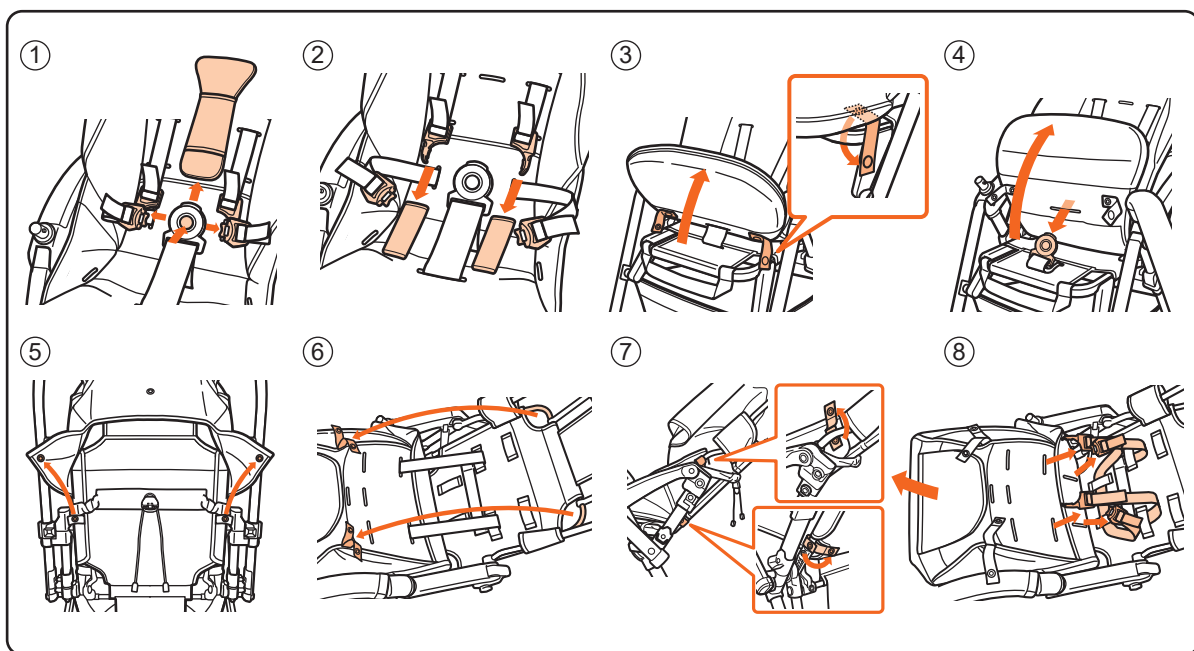
- ① Press the crotch buckle release button and release the harnesses. Remove the crotch belt cover from crotch belt.
 - ② Release the shoulder belt cover.
 - ③ Release the snaps (2 places) on the inner side of the seat cushion.
 - ④ Release the crotch belt from the seat cushion.
 - ⑤ Release the left and right snaps which are secured to the backrest (2 places).
 - ⑥ Remove the safety belt buckles (2 places) fixed on the back tube above the carriage bottom.
 - ⑦ Release the snaps of the side tube (4 places).
 - ⑧ Remove waist belt and shoulder belt and then remove seat cushion from base seat.
- NOTE: To install seat, go in the steps reverse.

WARNING: Make sure the seat cushion has been correctly attached before use.

- ① 按下安全帶釦解除安全帶，從中央帶上拆下中央帶罩。
- ② 取下肩帶套。
- ③ 從坐墊前端的固定釦帶（2處）上解開固定釦，然後拆下坐墊。
- ④ 從坐墊上拉出中央帶。
- ⑤ 解除坐墊釦在背板兩側的釦子（2處）。
- ⑥ 拆下鎖定在底座上方的靠背管材上的安全帶卡釦（2處）。
- ⑦ 解除側面管和小坐席下部管的釦子（共4處）。
- ⑧ 將肩帶、腰帶抽出，然後將坐墊從底座取出。

小提示：若安裝請按照相反的步驟來操作。

警告： 使用手推車前務必確認坐墊已正確安裝。



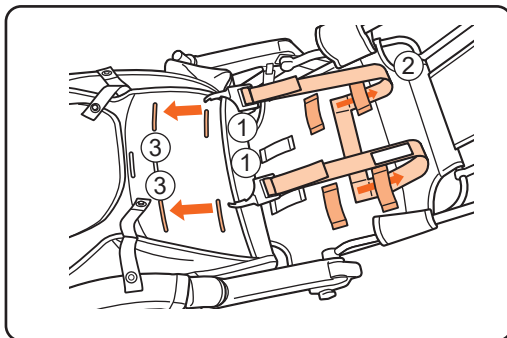
Adjust shoulder belt heights 調節肩帶高度

- ① Pull out shoulder belt from seat cushion and base seat.

Insert the shoulder belt through the correct slots on the base seat.

- ② Insert the shoulder belt through the correct slots on the seat cushion, make sure you use the slots in the same height.

Note : The lowest shoulder belt insert outlet should be used for children under 6 months.



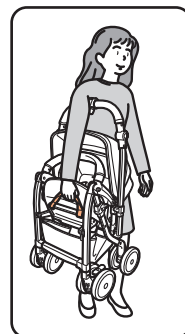
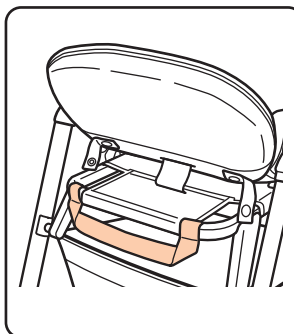
- ① 先將肩帶從座墊及靠背上解除。將肩帶穿過靠背上正確的肩帶孔。
- ② 將肩帶穿過座墊上正確對應位置的穿孔，並確認兩邊穿孔在適當的高度。

小提示：當幼兒未滿六個月時，請使用最低的肩帶穿孔。

How to use the carrying grip 使用輕便提帶

Carrying grip is used for carrying the folded stroller. Grab the carrying grip on the seat frame, and put the handle under the arm as illustrated.

輕便提帶是用於攜帶收車後的嬰兒車。
從折疊嬰兒車的把手，握著附設在座架上的手提帶子，
將把手夾在腋下攜帶使用。



The dacco cushion 懷抱型內墊

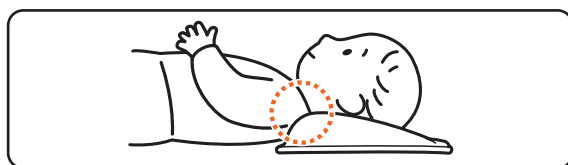
Correct position of head support

- The cushion pad of the head support should just touch at the child's neck.

Installing the dacco cushion

- Put EggShock pad into pocket on seat cushion to use.
- Age marked below is for reference only, please apply according to child's body size.

※ Support cushion installation period reference



	1 month	starting to sit without aid	36 months
Head pad	←-----→		
EggShock pad	←-----→ Attached in the head pad		←-----→ Attached in the seat cushion
Body & hip support	←-----→		

護頭墊的安裝位置

- 護頭墊部分應該剛剛抵幼兒頸部。

懷抱型座墊的安裝方法

- 將EggShock墊放入座墊上的口袋使用。
- 下記月齡只做參考，請依照幼兒體格判斷後使用。

※ 懷抱型座墊的參考安裝時期。

	1個月	獨自乘坐前期 (7個月)	36個月
護頭墊	←-----→		
EggShock墊	←-----→ 放在護頭墊中使用		←-----→ 放在座墊中使用
護背連臀墊	←-----→		

Installing the head support 護頭墊的安裝方法

Loop the head support belt through the head support hole, the belt is tipped opposite through the hole to attach. After it is installed, check if it is well secured to the seat cushion or not by slightly pulling.

Reference for head support insertion outlets (A) (B)

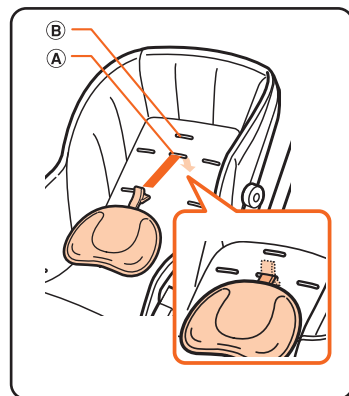
(A) for child from around 1 month to 4 months (B) for child from around 4 months to 7 months.

透過護頭墊穿孔通過頭部支援帶，將支援帶折迴繞過穿孔安裝。它被安裝後，輕輕的拉動檢查它是否固定在可移動的座椅。

有關護頭墊穿孔(A) (B) 的參考

(A) 大約供1個月至4個月的幼兒使用。

(B) 大約供4個月至7個月的幼兒使用。



Installing the Body & Hip support 護背連臀墊的安裝方法

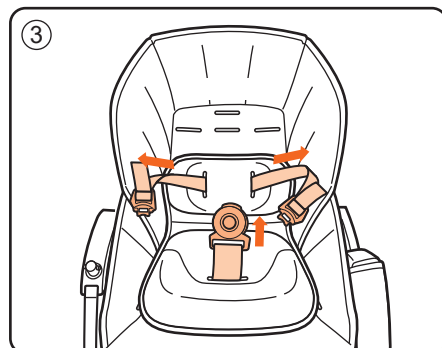
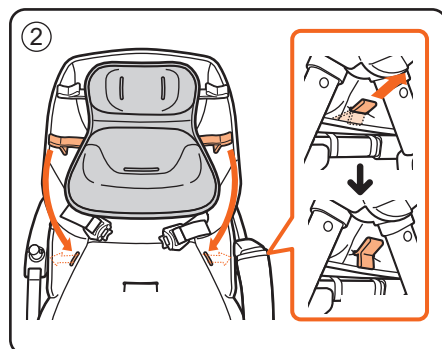
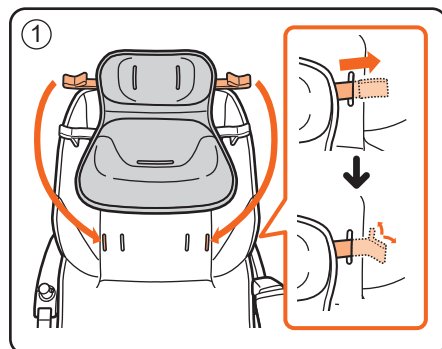
- ① Using the supporting belts (upper position) of the Body & Hip support to pass through the holes of the seat cushion body support location. To fix the supporting belts by opening the tail at the end.
- ② Using the supporting belts (upper position) of the Body & Hip support to pass through the holes of the seat cushion hip support location. To fix the supporting belts by opening the tail at the end.
- ③ The both sides of waist belts pass through the upper holes of the Body & Hip support.

The crotch belt pass through the lower belt hole of the Body & Hip support.

WARNING: Please STOP using the body and hip support which does not fit the child's body even if it is less than 3 years old. To detach, please kindly follow the reverse steps.

- ① 將護背連臀墊護背上的支援帶穿過座椅上的身體支援帶穿孔。將支援帶折迴繞過穿孔安裝。
- ② 將護背連臀墊護臀上的支援帶穿過座椅上的臀部支援帶穿孔。將支援帶折迴繞過穿孔安裝。
- ③ 請用護背連臀墊護背上的穿孔穿上腰帶；用護臀上的穿孔穿上中央帶。

小提示：即使幼兒是3歲以下，若護背連臀墊不適合幼兒體格，請立即停止使用。拆除時，以相反的步驟拆除。



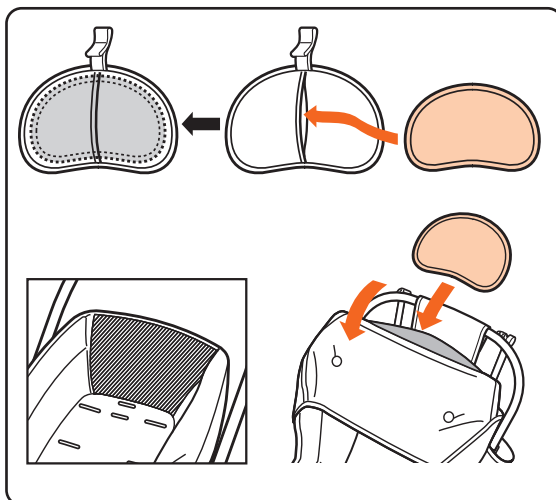
To use with EggShock pad 使用EggShock墊

Store inside head support.

The EggShock pad can be inserted into the head support of Dacco Seat to protect child from the vibrations from the ground when strolling. Insert the EggShock pad from the rear packet of the head support.

Store inside seat cushion to use. Insert the EggShock pad from the rear packet of the seat cushion.

- ① 放進護頭墊內使用時，EggShock墊可以安裝到Dacco墊的頭墊內，在頭墊背部的口袋進行安裝，用於保護幼兒頭部免受推行時的震動影響。
- ② 放進座墊內使用時，將座墊頭靠背面的專用口袋打開放入EggShock墊。



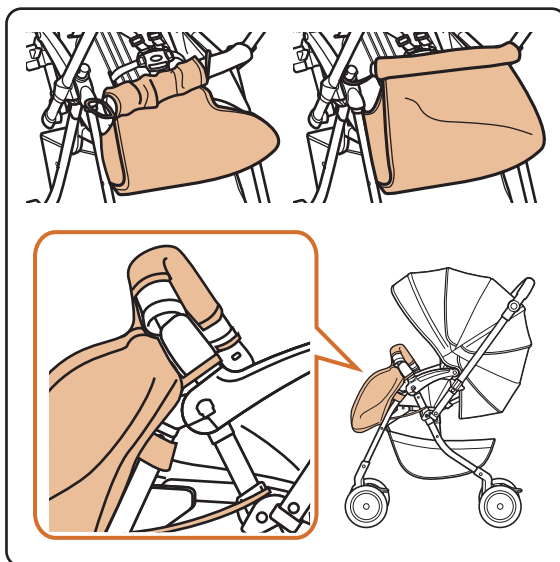
Installing the ASTM foot cover 使用ASTM腳套

1. Press and hold the button at the left end of the front guard, put a band and foot cover onto the front guard as illustration.
2. Tie up another band to the projected part, plug the front guard into the projected part at the end of the armrest.
3. To attach front guard and fasten the holding strings to the rear leg tubes to complete the installation.

※ This ASTM foot cover is only for packages that comply with ASTM safety standard. Taiwan version does not contain this accessory.

1. 手執前護欄末端如圖般按緊左邊的護欄按鈕，將前護欄提起後慢慢將鬆緊帶和腳套穿到前護欄上。
2. 然後將另一方的鬆緊帶固定在突起部分及將前護欄提起，向末端突起部分準確地按下。
3. 固定前護欄後，將兩側的固定帶如圖般穿過兩側的後腳管固定，這樣便完成安裝。

※ 此ASTM腳套僅符合美國ASTM安全基準的市場販賣品配備。台灣販售版本不含ASTM腳套。



The wheel cover 車輪罩

- The wheel cover can be disassembled and assembled.

CAUTION:

- When assembling or disassembling the wheel cover, please be careful not to injure your finger and nail.
- To avoid fall-off of the wheel cover, the tip of the fixing claw is designed with a sharp-pointed shape. Please be careful not to get hurt when handling.
- Make sure that all fixing claws are fixed. If any fixing claws are not fixed properly, they may fall off or get lost.
- Do not use it for other purposes other than designated ones.

- 輪罩可拆裝。

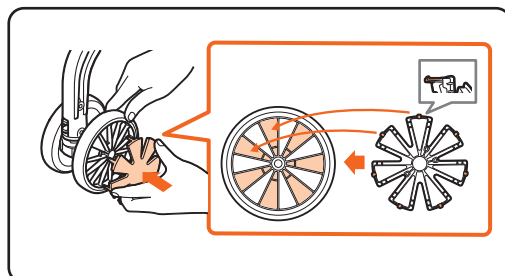
注意：

- 拆裝時，請注意不要弄傷手指或指甲。
- 為了確保不易脫落，輪罩固定勾爪的末端採用尖銳形狀。處理時，請注意不要受傷。
- 請確認所有固定勾爪已固定好。如果有固定勾爪未固定好，可能會脫落或遺失。
- 請勿將其用於除設計目的之外的其他用途。

How to assemble the wheel cover 車輪罩的安裝方法

Push the wheel cover inward to ensure that all the fixing claws (7 places for the front wheel, and 6 for the rear wheel) are fixed properly. Press the wheel cover inward until it clicks.

As shown in the figure, during assembling, make sure that the reinforcing ribs (fixing claws) of the wheel cover are embedded between the spokes of the wheel.



NOTE : There are cases in which some fixing claws are not fixed properly even if the wheel cover is assembled. Please press the wheel cover to make sure that all the fixing claws are in place.

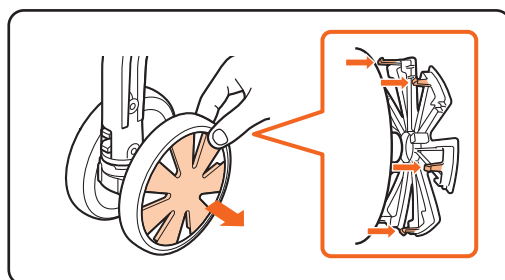
將輪罩按入，確保所有的固定勾爪（前輪7處、後輪6處）都固定好。將輪罩按入，直到發出“咔嗒”聲。如圖所示，在安裝時，請確保輪罩的加強筋（固定用勾爪）嵌入車輪輻條與輻條之間。

小提示：即使安裝好，也有可能出現並非所有固定勾爪都固定好的情況。請按壓輪罩，確認所有固定勾爪均已固定好。

How to disassemble the wheel cover 車輪罩的拆除方法

Press the inside of the wheel with your fingers, remove all the fixing claws (7 places for the front wheel, and 6 for the rear wheel), and then disassemble the wheel cover.

The wheel cover may spring out when it is disassembled, so hold the wheel cover tightly during disassembling. If you pull it out by force to disassemble it, the fixing claws will be damaged. Please be careful not to injure your finger or nail.



用手指按壓車輪內側，拆下所有的固定勾爪（前輪7處、後輪6處），然後將輪罩拆下。

輪罩被拆下時可能會飛出，所以拆卸時請按住輪罩。如果強行拉拔拆卸，會導致固定勾爪損壞。請注意不要弄傷手指或指甲。

Maintenance and Cleaning 保養和清潔

- Never apply force on any mechanism or moving parts.
- To prevent mildew forming, do not store this product in a wet or humid environment.
- Avoid prolonged exposure of the product to rain or snow.
- Clean the plastic and metal parts with a wet cloth. For stubborn stains, use a diluted mild detergent.
- You may lubricate moving parts if the operation or movement of the stroller is not smooth. Do not apply excessive lubricant as it may stain with dust which may cause malfunction.
- Please do not apply any lubricating oil on open/fold lock, safety belt buckle, front guard plug, safety lock, folding lever and swiveling lock that will cause malfunction.
- 切勿強行拉動活動零件或裝置。
- 請勿將產品存放在潮濕的地方以免產品發霉。
- 避免將產品長時間暴露於雨水或雪霜之中。
- 請以濕布清潔金屬及塑膠部分。如遇頑固污垢，可使用稀釋的清潔劑。
- 若感到手推車操作或運行不順暢時，可以添加適量的潤滑劑。注意不要添加過多的潤滑劑，否則反而會容易沾上灰塵，引起操作異常。
- 注意某些部位不可以加潤滑劑，如把手操作部、座席安全帶扣、前護欄的安裝部、開閉鎖周圍、轉向輪回轉部，否則可能引起操作不良。

Cleaning and maintaining fabrics 清洗和保養縫製品

- Be careful not to injury of the plastics on canopy and the snaps from basket.
- Due to the characteristic of the product, the color may fade after numbers of washing.
- It is recommended to wash with neutral detergent. Do not use detergent containing fluorescent brightener or bleach. This may cause chapped skin or a rash.
- Always keep clean due to the condition of storage, the mildew may be generated.
- 請注意不要損壞車篷的塑膠部分或籃子的U字鉤子等。
- 根據產品的特性，會有輕微的褪色。
- 洗滌的時候建議使用中性洗滌劑。請勿使用含螢光劑、漂白劑的洗滌劑，因為可能會引起皮膚乾燥、濕疹等。
- 請小心洗滌及保持清潔，同時需確保縫製品保管於通風環境，避免發霉狀況。

Washing of the seat cushion, front guard cover, shoulder belt, waist belt 座墊、前護欄套、肩帶、腰帶的洗滌方法

- Hand wash in warm water or machine-wash gently .
- When using the washing machine, put the laundries into the washing net before washing. Otherwise a fray and damage may cause.
- After washing, please twist it gently to make it dry. Hard twist may leave folds onto the fabric.
- Some sewing parts can discolor, so it is recommended to wash and spin separately with other clothes. Do not soak into the water.
- Rinse thoroughly, wring out lightly, and then arrange the shape and dry in the shade.
- Do not use drying machine, iron and dry cleaning.
- 請以溫水手洗或弱速機洗。
- 使用洗衣機的時候，請將縫製品放入柔洗袋內，避免縫製品損壞。
- 洗滌後，請輕輕地擰乾，大力擰乾的話可能會使縫製品留下褶皺。
- 部分縫製品可能會出現掉色，請跟其他物品分開清洗，另外請避免浸泡。
- 徹底清洗後，輕輕擰乾後，整理好形狀，放於陰涼處晾乾。
- 請勿使用烘乾機、熨斗及乾洗。

Washing of the seatback, canopy, basket, crotch belt 坐席、車篷、置物籃、中央帶的清洗方法

- Do not soak into the water. Use sponge or brush wipe off the dirt with warm water.
- After wipe off the dirt by detergent, use a cloth to wipe off the excess water and detergent.
- Dry in shade area after wipe off water.
- 請勿將縫製品浸泡在液體中。請用海綿或毛刷並使用溫水來擦拭污垢。
- 當使用清潔劑擦拭後，請以幹布或海綿將多餘的水分或清潔劑抹淨。
- 擦拭後請置於陰涼處陰乾。

Regular safety check 經常性檢查

- 當推車座墊未正確安裝時，禁止使用
- 使用前請確認推車停車鎖可正常運作
- 請經常檢查安全帶扣是否能正常使用
- 手推車換向後，請確認把手鎖已經正確鎖上

香港和東南亞地區消費者請參考下面:

Consumers from Hong Kong and South East Asia countries please refer to below:

供應商 Supplier:

香港九龍尖沙咀漢口道28號亞太中心1003室康貝香港有限公司

Combi Hong Kong Limited

Room 1003, HK Pacific Centre, 28 Hankow Road,

Tsimshatsui, Kowloon, Hong Kong.

台灣地區消費者請參考下面:

- | | | |
|-----------|---|-----------------------------------------------------------------------------------|
| 產品名稱及型號 | : | 手推嬰幼兒車 CROSSGO 4CAS |
| 製造年份 | : | 請參考車體腳管貼紙 |
| 進口商 | : | 台灣康貝股份有限公司 |
| 地址 | : | 台北市11493內湖路一段360巷6號6樓 |
| 電話 | : | (02)7720-8585 |
| 統一編號 | : | 12946262 |
| 製造廠商 | : | Combi Holdings Limited |
| 地址 | : | Room 1003, HK Pacific Centre, 28 Hankow Road,
Tsimshatsui, Kowloon, Hong Kong. |
| 原始製造國 | : | 中國 |
| 適用年齡 | : | 一至三十六個月 |
| 最大體重 | : | 15kg以下 |
| 置物籃最大承載重量 | : | 10kg以下 |
| 主要成份或材質 | : | 鋁合金、聚酯纖維、聚丙烯 |
| 使用方法 | : | 請依說明書組合使用 |
| 注意事項 | : | 乘坐時務必繫好安全帶。 |
| 緊急處理方法 | : | 盡速送醫急救。 |

Combi Corporation

149896030